

A60AD series



Signal/ Warning Lights with High Volume Built-in Buzzer



S60AD series



Common Specifications(S60ADL/ S60ADS/ S60ADB)

- Ø60mm warning light with high volume built-in buzzer in a vertical configuration
- Cone-shaped horn helps diffuse sound to generate clear and distinctive sound signals
- Suitable for applications that require downward audible signals in elevated locations
- Buzzer sound volume (Max 100dB at 1m)
- Materials : Lens-AS, Body-ABS, Reflector-Heat resistant ABS
- Ambient operating temperature : -30°C to +50°C
- Protection Rating : IP54
- Certificates : CE Compliant



S60ADL LED Steady/Flashing Signal Light

- LED reflector with multi-tiered design provides an even and clear illumination throughout the entire lens
- Selectable between steady and flashing mode
- Flashing rate : 60-80 flashes/min

Model number	Voltage	Current	Certificates	Weight	Color
S60ADL	DC12V	0.166A	CE DC24V only	0.17kg	<ul style="list-style-type: none"> • R-Red • A-Amber • G-Green • B-Blue
	DC24V	0.125A		0.17kg	
	AC110V	0.043A		0.32kg	
	AC220V	0.022A		0.32kg	



S60ADS Xenon Lamp Strobe Signal Light

- Flashing rate : 60-80 flashes/min

Model number	Voltage	Current	Certificates	Weight	Color
S60ADS	DC12V	0.550A	CE DC24V only	0.29kg	<ul style="list-style-type: none"> • R-Red • A-Amber • G-Green • B-Blue
	DC24V	0.266A		0.29kg	
	AC110V	0.088A		0.27kg	
	AC220V	0.044A		0.27kg	



S60ADB Bulb Steady/Flashing Signal Light

- Employs a special filament to prevent damage caused by possible voltage variations
- Selectable between steady and flashing mode
- Flashing rate : 60-80 flashes/min

Model number	Voltage	Current	Bulb			Certificates	Weight	Color
			Spec	Standard	Parts no			
S60ADB	DC12V	1.008A	12V10W	T16x35 15S	9	CE DC24V only	0.19kg	<ul style="list-style-type: none"> • R-Red • A-Amber • G-Green • B-Blue
	DC24V	0.556A	24V10W	T16x35 15S	10		0.19kg	
	AC110V	0.127A	110V10W	T16x35 15S	12		0.18kg	
	AC220V	0.064A	220V10W	T16x35 15S	13		0.18kg	

A60AD series



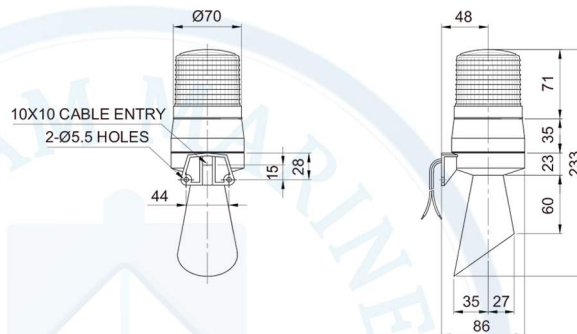
Signal/ Warning Lights with High Volume Built-in Buzzer



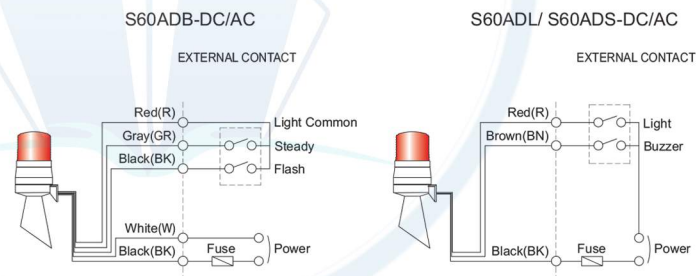
Technical Diagram

(Units : mm)

S60ADL/ S60ADS/ S60ADB



Wiring Instructions



- S60ADB : Power line standard UL1015 AWG18(0.75sq)×2C 400mm
Signal line standard UL1007 AWG22(0.3sq) 400mm
- S60ADL/ S60ADS : Signal line UL1007 AWG22(0.3sq) 400mm
- Product can be wired regardless of polarity



S60AD emits powerful buzzer sound through the cone type sound radiating structure.



Customization

- 2 buzzer sound types : Both prolonged(beep, beep) and staccato(beep, beep, beep) buzzer output available
- Strong buzzer type 105dB(model number : S60AD-HBZ)



Ordering Specification

S60ADL	-	220	-	R
[Model number]		[Voltage]		[Color]
<ul style="list-style-type: none"> • S60ADL • S60ADS • S60ADB 		<ul style="list-style-type: none"> • 12-DC12V • 24-DC24V • 110-AC110V • 220-AC220V 		<ul style="list-style-type: none"> • R-Red • A-Amber • G-Green • B-Blue

Electric Horn/ Speakers



Industrial LED Lights