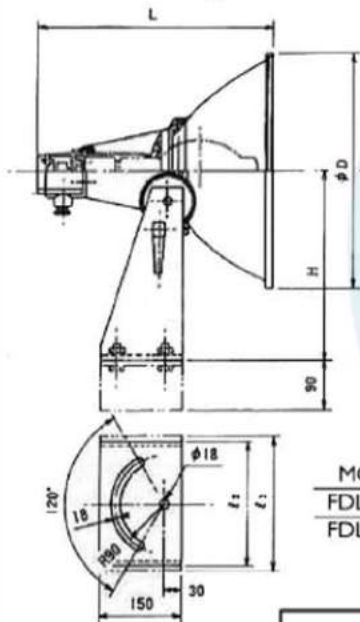


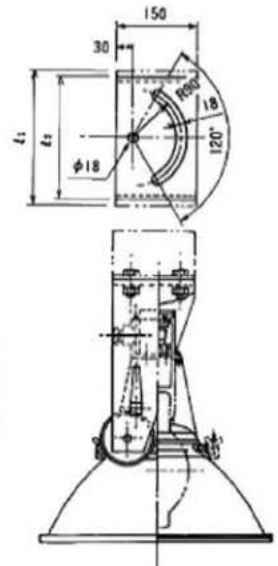
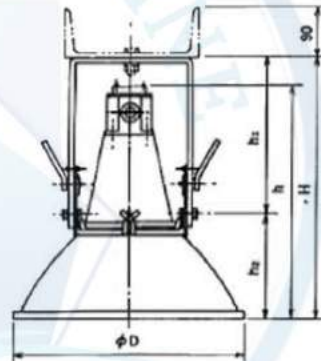
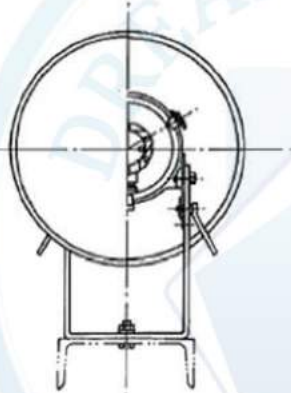
HID Lamp Floodlight FDL-24/27



Horizontal mounting



Vertical mounting



MODEL	D	H	L	/1	/2
FDL-24(A)	436	350	432	250	233
FDL-27(A)	586	435	526	319	250

MODEL	D	H	h	h1	h2	/1	/2
FDL-24(A)	436	487	432	295	192	250	233
FDL-27(A)	586	614	526	360	254	319	250

MODEL NO.	FDL-24	FDL-27
APPLICABLE LAMP	H/HF 250/300/400 BHF 250/300/500 NH/NHF 400	H/HF 700/1000 BHF 750/1000 NH/NHF 700/1000
MATERIAL	BODY - STAINLESS STEEL TEMPERED FRONT GLASS	
SOURCE VOLTAGE	250V OR LESS	
DIP & ELEVATION ANGLE	UPRIGHT UP-90°DN-45°	VERTICAL L-45° R-45°
	UPRIGHT UP-90°DN-45°	VERTICAL L-45° R-45°

Model	Mounting	Lamp holder	Ingress Protection	Weight (Kg)	DM CODE
FDL-24	FLANGE	TE-39	IP56	12.5 KG	B1053240
FDL-27		TE-39		19.0KG	B1053270

Spare Parts available on request