

Marine Projector Floodlight with Guard
FDL-R12/FDL-R12V



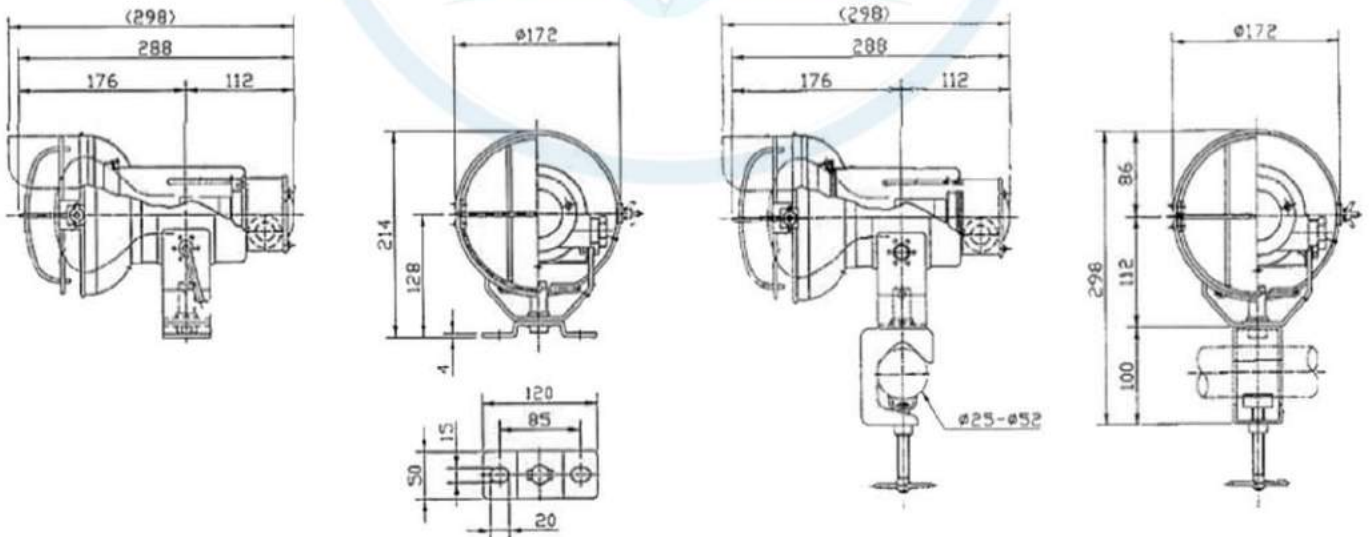
FDL-R12



FDL-R12V



MODEL NO	FDL-R12	FDL-R12V
MOUNTING	FLANGE	G-CLAMP
ISSA NO.	791801	791803
INGRESS PROTECTION	IP55	
MATERIAL	BODY – STAINLESS STEEL GUARD – STAINLESS STEEL	
SOURCE VOLTAGE	250V OR LESS	
APPLICABLE LAMP	RF-H 100W/150W/200W RS-H 100W/150W/200W BHRF 160W	
DIP & ELEVATION ANGLE	UP 58° DOWN 45°	
HORIZONTAL TURNING ANGLE	360°	



Model	Capacity	Lamp holder	Ingress Protection	Weight (Kg)	DM CODE
FDL-R12	RF200W/BHRF160W	TE-26	IP55	2.2 KG	B1051120
FDL-R12V	RF200W/BHRF160W	TE-26		2.7 KG	B1051125

Spare Parts available on request