

Marine Projector Floodlight with Guard
FDL-R13/FDL-R13V



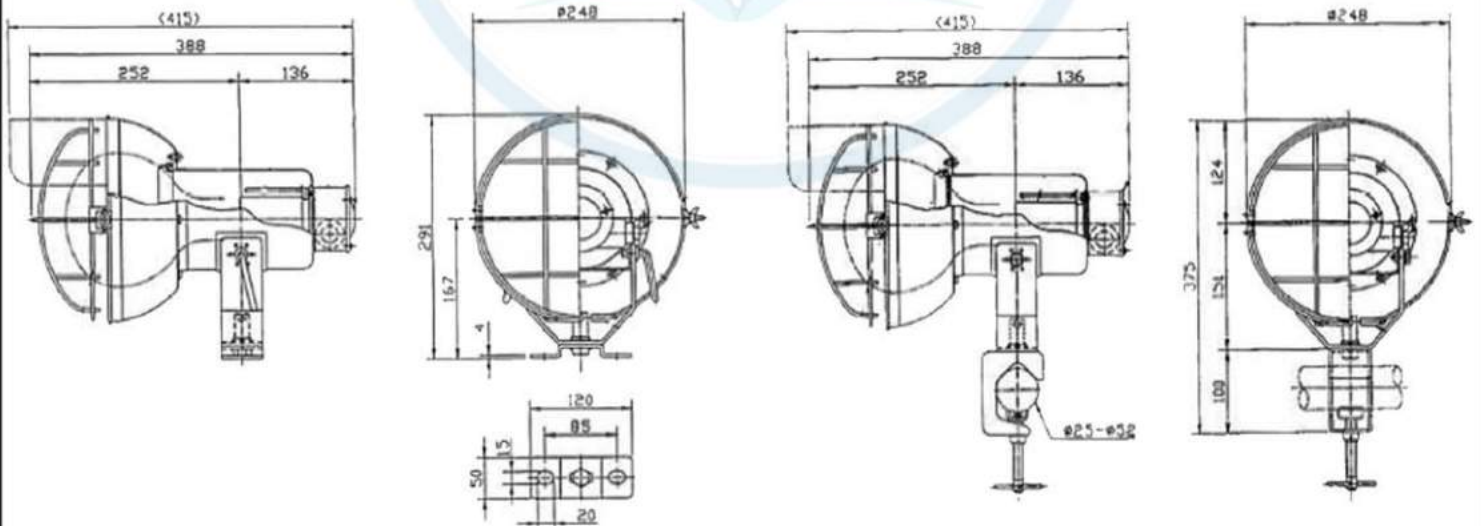
FDL-R13



FDL-R13V



MODEL NO	FDL-R13	FDL-R13V
MOUNTING	FLANGE	G-CLAMP
ISSA NO.	791802	791804
INGRESS PROTECTION MATERIAL	IP55	
SOURCE VOLTAGE	BODY – STAINLESS STEEL	
APPLICABLE LAMP	GUARD – STAINLESS STEEL	
DIP & ELEVATION ANGLE	250V OR LESS	
HORIZONTAL TURNING ANGLE	RF-H 300W/500W	
	RS-H 300W/500W	
	BHRF 300W/500W	
	UP 67° DOWN 45°	
	360°	



Model	Capacity	Lamp holder	Ingress Protection	Weight (Kg)	DM CODE
FDL-R13	RF500W/BHRF500W	TE-39	IP55	3.2 KG	B1051130
FDL-R13V	RF200W/BHRF160W	TE-39		3.7 KG	B1051135

Spare Parts available on request