

**Marine Projector Floodlight with Guard**  
**FDL-R14/FDL-R14V**



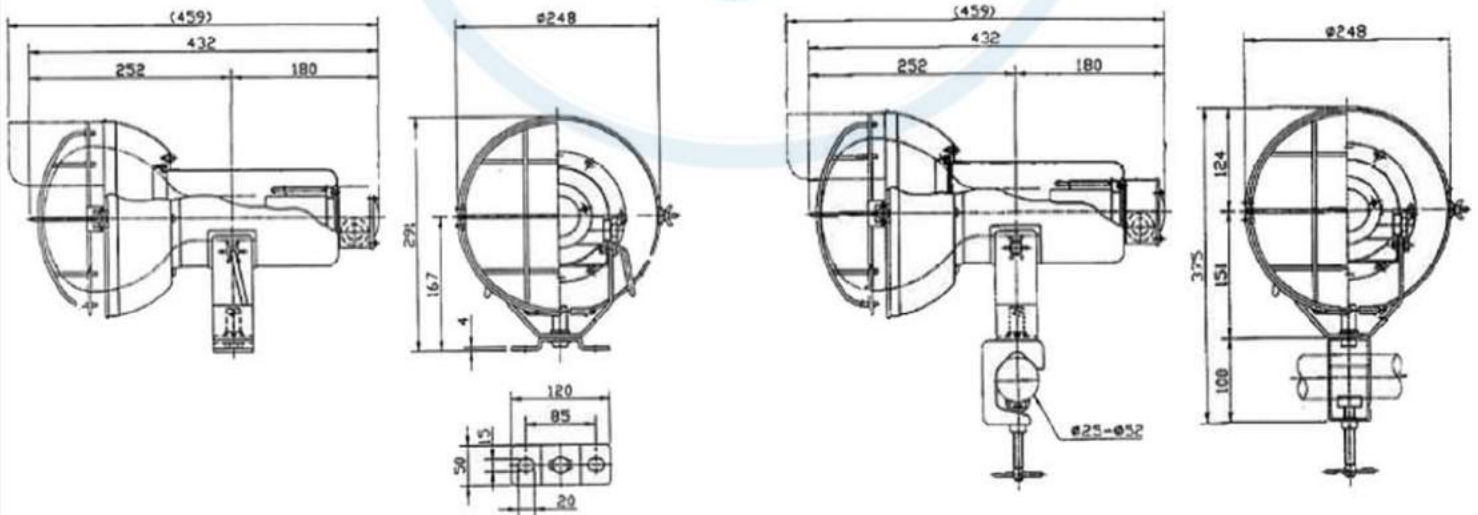
**FDL-R14**



**FDL-R14V**



|                          |  |          |
|--------------------------|--|----------|
| MODEL NO                 | FDL-R14  | FDL-R14V |
| MOUNTING                 | FLANGE   | G-CLAMP  |
| ISSA NO.                 | 791811   | 791812   |
| INGRESS PROTECTION       | IP55   |          |
| MATERIAL                 | BODY – STAINLESS STEEL<br>GUARD – STAINLESS STEEL                                |          |
| SOURCE VOLTAGE           | 250V OR LESS   |          |
| APPLICABLE LAMP          | RF-H 750W/1000W<br>HRF 200W/250W/300W/400W<br>HR 300W/400W<br>NHR 150W/250W/400W |          |
| DIP & ELEVATION ANGLE    | UP 46° DOWN 45°  |          |
| HORIZONTAL TURNING ANGLE | 360°   |          |



| Model    | Capacity        | Lamp holder | Ingress Protection | Weight (Kg) | DM CODE  |
|----------|-----------------|-------------|--------------------|-------------|----------|
| FDL-R14  | RF1000W/HRF400W | TE-39       | IP55               | 3.3 KG      | B1051140 |
| FDL-R14V | RF1000W/HRF400W | TE-39       |                    | 3.9 KG      | B1051145 |

Spare Parts available on request