

**Marine Projector Floodlight with Front Glass**  
**FDL-R22 & FDL-R23**



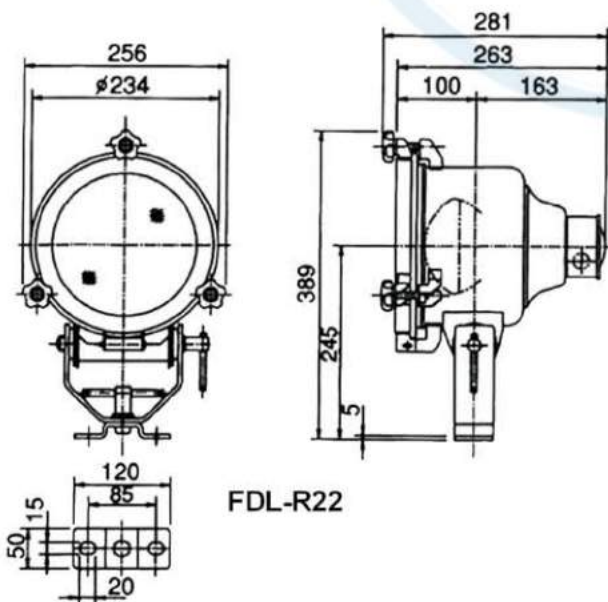
FDL-R22



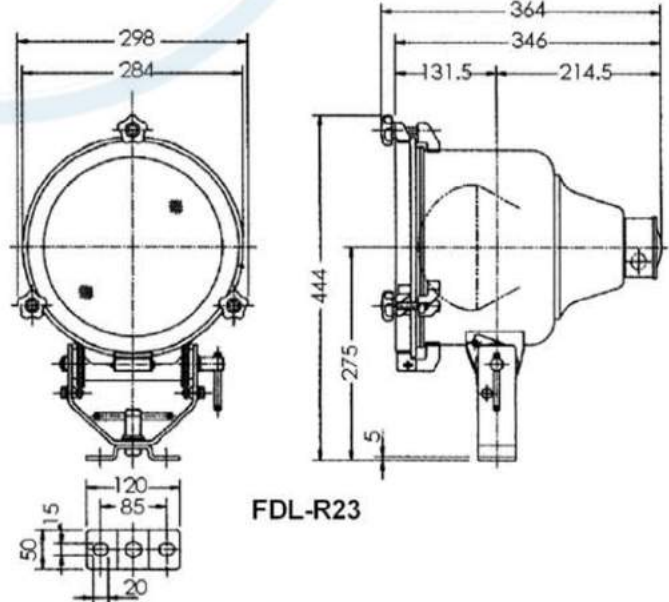
FDL-R23

MOUNTING MATERIAL	FLANGE
SOURCE VOLTAGE	BODY – STAINLESS STEEL
APPLICABLE LAMP	TEMPERED FRONT GLASS
LAMP HOLDER	250V OR LESS
DIP & ELEVATION ANGLE	RF-H 100W/150W/200W
HORIZONTAL TURNING ANGLE	RS-H 150W/200W
	TE-26
	UP 70° DOWN 70°
	360°

MOUNTING MATERIAL	FLANGE
SOURCE VOLTAGE	BODY – STAINLESS STEEL
APPLICABLE LAMP	TEMPERED FRONT GLASS
LAMP HOLDER	250V OR LESS
DIP & ELEVATION ANGLE	RF-H 300W/500W
HORIZONTAL TURNING ANGLE	RS-H 300W/500W
	TE-39
	UP 60° DOWN 60°
	360°



FDL-R22



FDL-R23

Model	Capacity	Lamp holder	Ingress Protection	Weight (Kg)	DM CODE
FDL-R22	100W/200W	TE-26	IP56	4.5 KG	B1052220
FDL-R23	300W/500W	TE-39		5.8 KG	B1052230

Spare Parts available on request