

**Marine Projector Floodlight with Front Glass**  
**FDL-R24 & FDL-R27**

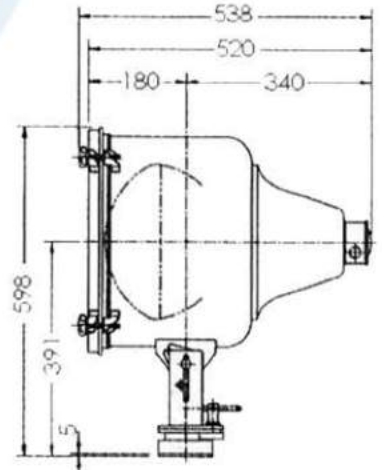
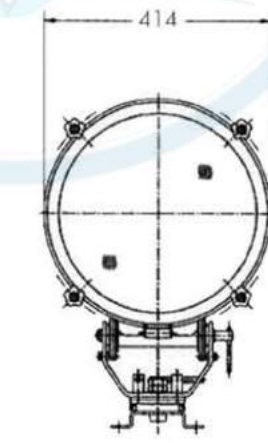
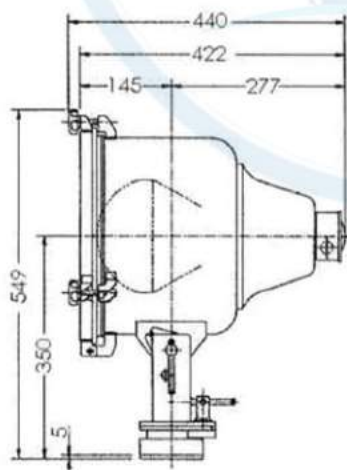
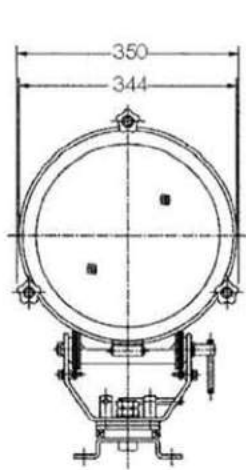


**FDL-R24**



**FDL-R27**

|                                  |                                      |                                  |                                      |
|----------------------------------|--------------------------------------|----------------------------------|--------------------------------------|
| <b>MOUNTING MATERIAL</b>         | <b>FLANGE BODY – STAINLESS STEEL</b> | <b>MOUNTING MATERIAL</b>         | <b>FLANGE BODY – STAINLESS STEEL</b> |
| <b>SOURCE VOLTAGE</b>            | <b>TEMPERED FRONT GLASS</b>          | <b>SOURCE VOLTAGE</b>            | <b>TEMPERED FRONT GLASS</b>          |
| <b>APPLICABLE LAMP</b>           | 250V OR LESS                         | <b>APPLICABLE LAMP</b>           | 250V OR LESS                         |
| <b>DIP &amp; ELEVATION ANGLE</b> | RF-H 750W/1000W                      | <b>DIP &amp; ELEVATION ANGLE</b> | HRF-700/1000X                        |
| <b>HORIZONTAL TURNING ANGLE</b>  | HRF-200/250/300/400X                 | <b>HORIZONTAL TURNING ANGLE</b>  | HR-700/1000X                         |
|                                  | NHR150/250/400                       |                                  | UP 55° DOWN 60°                      |
|                                  | UP 60° DOWN 60°                      |                                  | 360°                                 |



| Model   | Capacity        | Lamp holder | Ingress Protection | Weight (Kg) | DM CODE  |
|---------|-----------------|-------------|--------------------|-------------|----------|
| FDL-R24 | RF1000W/NHR400W | TE-39       | IP56               | 9.9 KG      | B1052240 |
| FDL-R27 | HRF700W/1000W   | TE-39       |                    | 13.8 KG     | B1052270 |

Spare Parts available on request