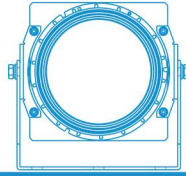


LED FLOODLIGHT



MFL 1 SERIES



Key Features

- Triac dimming compatible
- Designed with reliable AC driver on board to enhance the service life
- Rapid heat-dissensing design to prolong lamp life and optimise lumen output
- Compact and lightweight design
- Long service life of 100,000 hours
- Interchangeable module
- Safety, EMC and IEC compliance

Application

Decks, Marinas, Docks, Ports, Warehouses

Material

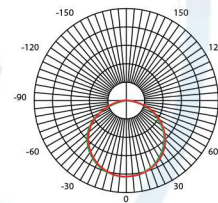
Marine grade aluminium alloy with powder coating, comes with 4mm tempered glass front cover

Options

100V ~ 120V AC
40° Beam Angle

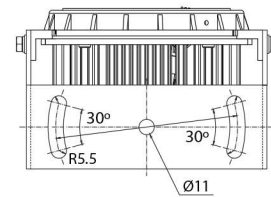
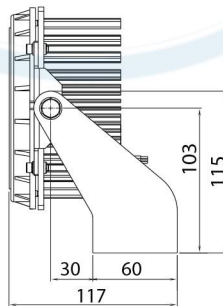
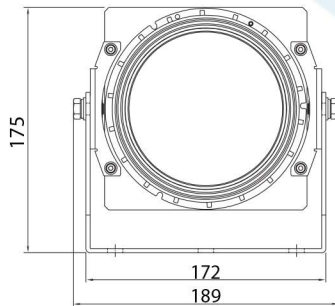
Weight

1.9Kg



Height	AVRE	Diameter
1.00m	468.48x	327.01cm
2.00m	117.12x	654.02cm
3.00m	52.05x	981.03cm
4.00m	29.28x	1308.04cm
5.00m	18.74x	1635.05cm

Angle: 117.1°



TECHNICAL SPECIFICATIONS



Ideal Replacement:



Type	Main Voltage	Power	CCT	Beam Angle	Ambient Temp	System Lumen
MFLC15C0A4	220V ~ 240V AC	56W	5,000K	120°	-20 ~ 50°C	5,200lm

Also available in other CCT and beam angle upon request.

