

# LED Strobe Signal Light and Electric Horn Combinations

## Max.123dB



A new concept of using the horn cover as a light globe

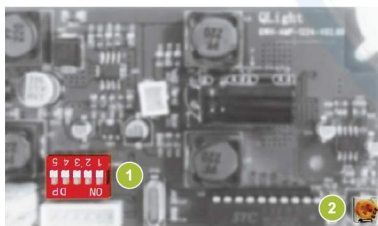


**QWCD series is a patented product with an integrated horn and light globe.**  
(Patent registration : 10-1452447 horn having a light emitting part)

QWCD series	
QWCD35(T)	Built-in standard sound
QWCD35(T)SD	MP3(SD Card)
QWCD50	Built-in standard sound, large output sound
QWCD50SD	SD Card(MP3), Large output sound

- By using the horn cover as a light globe, the size of the product has been reduced significantly
- The color of light can be selected from red, yellow, green, or blue
- Product has two models : the basic model with 31 built-in sounds, and an external sound (MP3) type model
- Includes seven different playback functions; one function is the continuous playback function which provides constant message notification
- There are 31 built-in sounds that can be played in various environments, and supports a Binary input method
- You can save and play up to 31 mp3 files using a external SD Card
- Can easily set up the sounds using a PC
- By making the horn cover with polycarbonate (PC) material, The product has excellent durability and weather resistance
- Can be used for heavy-duty, ship, or outdoor use which requires waterproof, dustproof structure (IP66)

### Built-in sound type



- 1 Sound selection switch
- 2 Volume

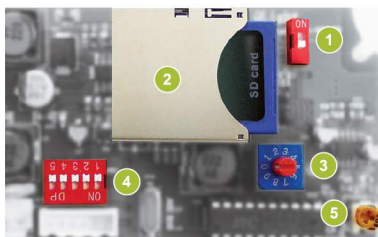
### The input method of built-in sound type

	1	2	3	4	5
No.	1	2	3	4	5
0	0	0	0	0	0
1	0	0	0	0	1
2	0	0	0	1	0
:	:	:	:	:	:
31	1	1	1	1	1

Built-in sound type model supports Binary input mode which provides a selection of 31 different input combinations for five kinds of sounds.

You can only select 2 numbers with 1 switch; "0", "1". With 5 switches you can have 31 combinations. Selecting one sound from 5 switches is the Binary input method.

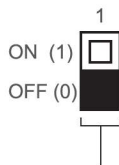
### SD Card(MP3) type



- 1 Sound setting switch
- 2 MP3 playable SD Card
- 3 Play mode setting switch
- 4 Sound select switch
- 5 Volume

### The sound selection method of SD Card type

Can easily select built-in sound or external sound(MP3) by using the sound selection switch.



**The sound selection**  
0 : Select built-in sound  
1 : Select SD Card

- 31 built-in special warning sounds
- Supports SD Card (MP3)
- Binary Input : 31Ch
- Bit Input : 5Ch (SD Card only)
- A multifunctional product that can play MP3 files using an SD Card
- Please refer to page 26 for detailed settings
- Built-in sound is set to #1 as default

# LED Strobe Signal Light and Electric Horn Combinations

## Max.123dB



- Qlight's exclusive innovative design - the horn cover emits light!
- Combination of 31 sound options built in and SD Card(MP3) option



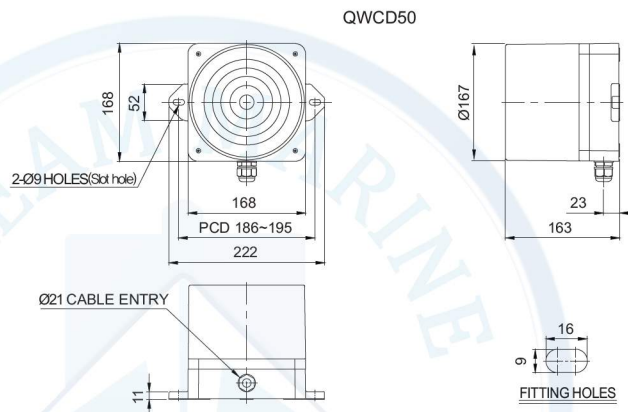
QWCD50 series

### QWCD50 LED Strobe Light and Electric Horn Combination

Model number	Voltage	Current	Sound Pattern and Volume	Certificates	Weight	Color
QWCD50	DC12V	6.4A	• Bit Input : 5Ch (SD Card)	CE DC Only	2.7kg	• R-Red • A-Amber • G-Green • B-Blue
Built-in standard sound	DC24V	3.2A	• Binary Input : 31Ch		2.7kg	
QWCD50SD MP3	AC110V-220V	Max 0.600A	• Warning Sounds: 123dB • MP3 Messages : 118dB	UL DC Only	3.0kg	

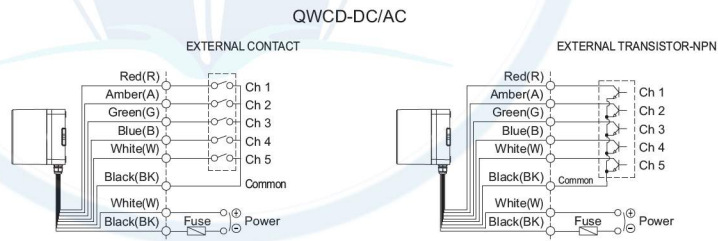
\* AC type model has a free-voltage range of 100V-240V.

#### Technical Diagram (Units : mm)



#### Wiring Instructions

- Standard specification : Uses internal switches
- Customization : Uses external contact



- Wiring to external contact and transistor
- Wiring to transistor, use the NPN transistor
- Power line standard UL1015 AWG18(0.75sq)×2C 400mm
- Signal line standard UL1007 AWG22(0.3sq) 400mm
- DC type : Black output line is negative(-)
- Channel selection : Bit input, 5 sound tones for each group
- Binary input 31 sound tones output

\* Please refer to Page 26 for set of channel input. (If wiring is changed by channel selection switch)

#### Customization

- External sound selection line(Model number : -LC)

#### Ordering Specification

QWCD50	-	110/220	-	R	-	LC
[Model number]		[Voltage]		[Color]		[sound selection]
• QWCD50 • QWCD50SD		• 12-DC12V • 24-DC24V • 110/220 • AC110V-220V		• R-Red • A-Amber • G-Green • B-Blue		• Standard • -Built-in switch • LC • -External contact