

Wall Mount Electric Horn with Pre-recorded Special Warning Sound

Max.115dB



Wall mount electric horn that offers 31 pre-recorded warning sounds and 30 user selected sound messages

- Bit input offers 5 channels with 6 sound outputs
- Binary input offers 31 sound outputs and SD Card (MP3) combination



• Sound Selection and Volume Adjustment Instructions

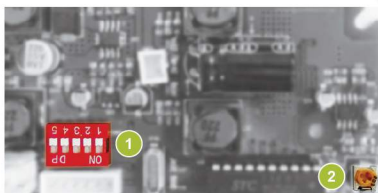
QWH series has control switches inside the unit for sound selection and volume adjustment. You can play customized sound message(MP3) with SD Card.

QWH series Product Category	
QWH35	Standard pre-recorded sound type
QWH35SD	SD Card(MP3) type
QWH50	Standard pre-recorded sound type with high volume output
QWH50SD	SD Card (MP3)type with high volume output

Common Specifications(QWH35/ QWH35SD/ QWH50/ QWH50SD)

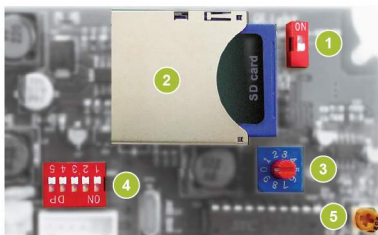
- Signal fit for the specific environment and condition.
- Options to select between 31 special warning sounds included in the pre-recorded sound type and SD Card(MP3) type
- Volume adjustment and sound selection switches located inside the unit. SD Card in the unit offers convenient operation.
- SD Card type allows the user to input the proper voice messages for specific operating conditions.
- The SD Card type 31 Special alarms built in which includes the voice alert from the SD Card (MP3). 31 special warning sounds are built both in pre-recorded sound type and SD Card type
- Offers both Binary and Bit input mode options (only the SD Card type has the bit input)
- Tightly sealed structure that blocks water and dust with IP66 protection rating suitable for outdoor installation
- Cable entry : PG 13.5
- Materials : Horn-PC, Housing-PC+ABS
- Ambient operating temperature : -30°C to +50°C(Standard type)
-30°C to +50°C(SD Card type)
- Protection rating : IP66
- Certificates : CE Compliant
- Compliant with RoHS directive

Pre-recorded sound type



- 1 Switch for channel selection
- 2 Switch for volume adjustment

SD Card (MP3) type



- 1 Switch for sound pattern selection
- 2 SD Card slot for MP3
- 3 Switch for play mode selection
- 4 Switch for channel selection
- 5 Switch for volume adjustment

The input method of built-in sound type

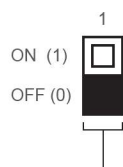
	1	2	3	4	5
ON	<input type="checkbox"/>	<input type="checkbox"/>	<input type="checkbox"/>	<input type="checkbox"/>	<input type="checkbox"/>
OFF	<input type="checkbox"/>	<input type="checkbox"/>	<input type="checkbox"/>	<input type="checkbox"/>	<input type="checkbox"/>
No.	1	2	3	4	5
0	0	0	0	0	0
1	0	0	0	0	1
2	0	0	0	1	0
:	:	:	:	:	:
31	1	1	1	1	1

Select from 31 pre-recorded output sound options by using a combination of the 5 channel input switches.

The binary input method allows you to express each of the 31 alarm sound signals with a "0" or "1" by switching the 5 channels on and off as shown in the table.

Sound selection instruction for SD Card type

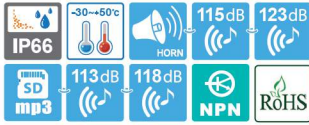
You can select between pre-recorded sound mode and SD Card sound (MP3) mode with the SOUND selection switch.



Selection between pre-recorded sound mode and SD Card sound mode
0 : pre-recorded sound mode
1 : SD Card sound mode

- 31 built-in alarm sounds and special sound
- Supports SD Cards for external sound (MP3)
- Binary Input : 31Ch
- Bit Input : 5Ch(SD Card only)
- A versatile product that can play MP3 files via the SD card
- For detailed setup instructions, please see page 24 for the special beep-type products.
- Channel 1 is set as the factory default

Wall Mount Electric Horn with Pre-recorded Special Warning Sound Max.115dB



115dB



QWH35 series

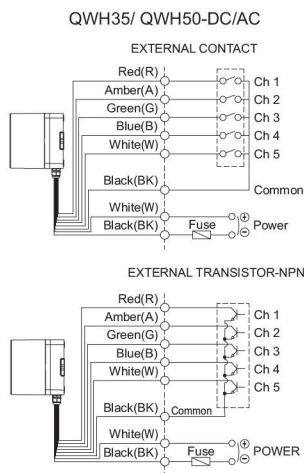
123dB



QWH50 series

Sound Selection and Wiring Instructions

- Standard : Internal switch
- Customization : External contact(LC)



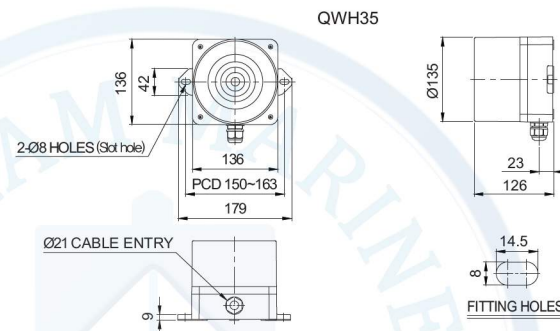
- Channel selection, 5 sounds available with Bit input and 31 sound available with Binary input
 - DC type : Black line is negative(-)
- ※ Please refer to Page 28 for channel input. (Wiring Instructions is changed to channel selection switches)

QWH35 Wall Mount Electric Horn MP3(SD Card) with Pre-recorded Special Warning Sound

Model number	Voltage	Current	Sound Pattern and Volume	Certificates	Weight
QWH35	DC12V-24V	Max. 0.930A	• Bit Input : 5Ch(SD Card) • Binary Input : 31Ch	CE DC Only	0.9kg
Built-in sound type	AC110V-220V	Max. 0.300A			1.0kg
QWH35SD	DC12V-24V	Max. 0.980A	• Warning Sounds: 115dB • MP3 Messages : 113dB	CE DC Only	0.9kg
MP3 type	AC110V-220V	Max. 0.270A			1.0kg

※ DC type model has a free-voltage range of 10V-30V.
※ AC type model has a free-voltage range of 100V-240V.

Technical Diagram (Units : mm)

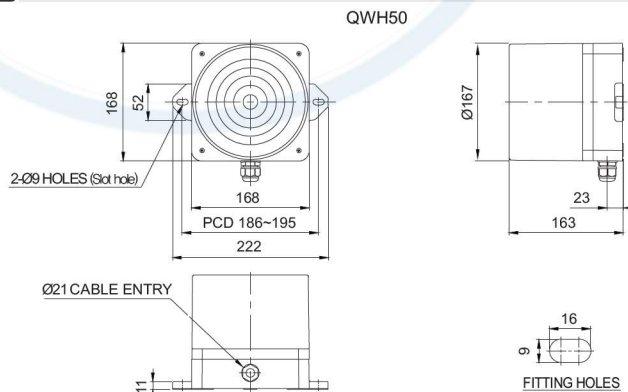


QWH50 Wall Mount Electric Horn MP3(SD Card) with Pre-recorded Special Warning Sounds

Model number	Voltage	Current	Sound Pattern and Volume	Certificates	Weight
QWH50	DC12V-24V	Max. 3.476A	• Bit Input : 5Ch (SD Card) • Binary Input : 31Ch	CE DC Only	2.7kg
Built-in sound type	AC110V-220V	Max. 0.455A			2.8kg
QWH50SD	DC12V-24V	Max. 4.312A	• Warning Sounds: 123dB • MP3 Messages : 118dB	CE DC Only	2.7kg
MP3 type	AC110V-220V	Max. 0.529A			2.8kg

※ DC type model has a free-voltage range of 10V-30V.
※ AC type model has a free-voltage range of 100V-240V.

Technical Diagram (Units : mm)



Customization

- External threading of sound selection signal line (Model number : -LC)

Ordering Specification

QWH50	-	110/220	-	LC
[Model number]		[Voltage]		[Sound selection]
• QWH35 • QWH35SD • QWH50 • QWH50SD		• 12/24-DC12V~24V • 110/220-AC110V~220V		• Standard-Built-in Switch • LC-External contact



Signal & Electric Horn/Speakers



Vessels and Heavy-Duty Equipment



Explosion Proof



Warning Light Bar



Aviation Obstruction Lights



Signal Tower Lights



USB/Ethernet Signal Tower Lights



Wireless Network System



Electric Horn/Speakers



Industrial LED Lights