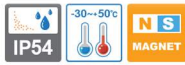


S125 series

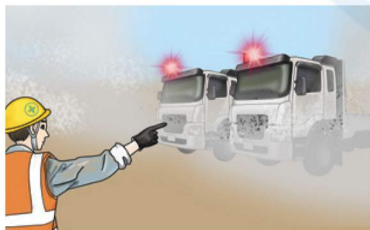
Ø125mm Xenon Strobe Signal Lights



S125S



S125SM



Excellent visibility in fog and dust environments.



Common Specifications(S125S/ S125SM)

- Ø125mm xenon strobe signal lights
- High efficiency strobe light that offers excellent outdoor visibility and long-distance signal light luminance close to natural light
- Lamp connector for convenient lamp replacement
- Flashing rate : 60-80 flashes/min
- Materials : Lens-AS, Housing-ABS
- Ambient operating temperature : -30°C to +50°C
- Protection rating : IP54



S125S Xenon Strobe Signal Light

- Certificates : CE Compliant

| Model number | Voltage | Current | Bulb | | | Certificates | Weight | Color |
|--------------|---------|---------|---------------|-----------------------------|----------|--------------|--------|-----------|
| | | | Spec | Standard | Parts no | | | |
| S125S | DC12V | 1.001A | 200V -550V | EUB0641 -1A(G) U type | 48 | CE | 0.37kg | • R-Red |
| | DC24V | 0.616A | | | | | 0.37kg | • A-Amber |
| | AC110V | 0.133A | | | | | 0.32kg | • G-Green |
| | AC220V | 0.106A | | | | | 0.32kg | • B-Blue |



Wiring Instructions

- External power line standard : UL1015 AWG18(0.75sq)×2C 400mm
- Product can be wired regardless of polarity



S125SM Magnet Mount Xenon Strobe Signal Light

| Model number | Voltage | Current | Bulb | | | Certificates | Weight | Color |
|--------------|---------|---------|---------------|-----------------------------|----------|--------------|--------|------------------------------------|
| | | | Spec | Standard | Parts no | | | |
| S125SM | DC12V | 1.001A | 220V -350V | EUB0641 -1A(G) U type | 48 | - | 0.40kg | • R-Red |
| | DC24V | 0.616A | | | | | 0.40kg | • A-Amber • G-Green • B-Blue |



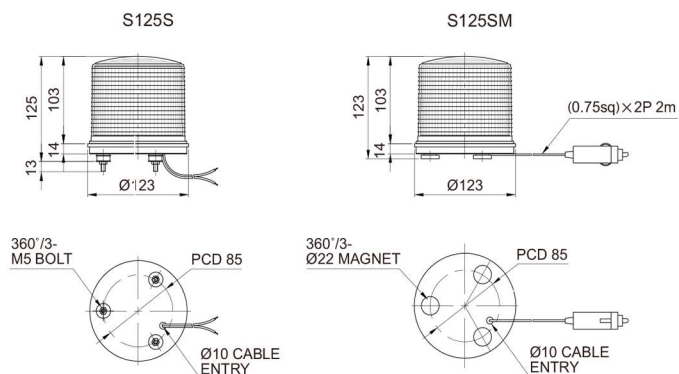
Wiring Instructions

- Cigarette lighter plug, IEC42(0.75sq)×2P 2m



Technical Diagram

(Units : mm)



Customization

- AC type(S125SM)
- Wall mount bracket options (S125S) : Bracket structure allows for threading through the bracket hole or into the wall mount



Wall Mount Bracket
SWP125



Wall Mount Bracket
SWM125



Ordering Specification

| | | | | |
|---------------------|---|--|---|---|
| S125S | - | 220 | - | R |
| [Model number] | | [Voltage] | | [Color] |
| • S125S • S125SM | | • 12-DC12V • 24-DC24V • 110-AC110V • 220-AC220V | | • R-Red • A-Amber • G-Green • B-Blue |