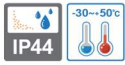


# S150 series

# Qlight

## Ø150mm LED Steady/Flashing Signal Light



S150RL/ S150RS



S150RL-FT/ S150RS-FT



### Common Specifications(S150RL/ S150RS)

- Stainless Steel(STS) housing allows excellent anti-corrosiveness and durability
- Mounting bracket allows convenient installation in case of XXX-FT type
- Flashing rate : 60-80 flashes/min
- Materials : Lens - AS, Housing - STS, Reflector - Heat resistant ABS, Mounting bracket - STS
- Ambient operating temperature : -30°C to +50°C
- Protection rating : IP44



### S150RL/ S150RL-FT LED Steady/ Flashing Signal Lights

- Built-in switch for selection between steady and flashing mode

Model number	Voltage	Current	Certificates	Weight	Color
S150RL	DC12V	0.300A	-	0.64kg	<ul style="list-style-type: none"> <li>• R-Red</li> <li>• A-Amber</li> <li>• G-Green</li> <li>• B-Blue</li> </ul>
S150RL-FT	DC24V	0.200A		0.64kg	
	AC110V	0.060A		0.92kg	
	AC220V	0.030A		0.92kg	



### S150RS/ S150RS-FT Xenon Lamp Strobe Signal Lights

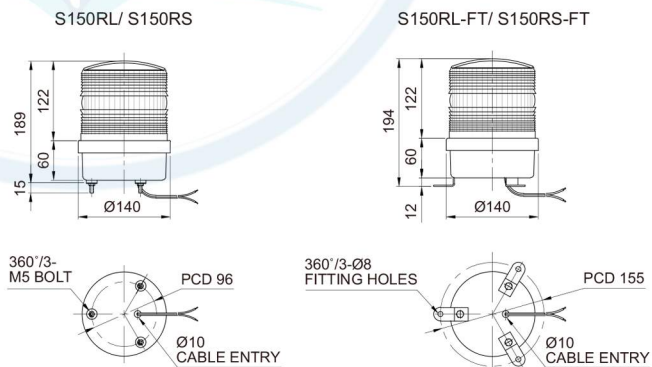
- Connector type lamp socket allows convenient lamp replacement

Model number	Voltage	Current	Spec	Bulb Standard	Parts no	Certificates	Weight	Color
S150RS	DC12V	1.001A	200V -550V	EUB0641 -1A(G) U Type	48	-	0.68kg	<ul style="list-style-type: none"> <li>• R-Red</li> <li>• A-Amber</li> <li>• G-Green</li> <li>• B-Blue</li> </ul>
S150RS-FT	DC24V	0.616A					0.68kg	
	AC110V	0.133A					0.66kg	
	AC220V	0.106A					0.66kg	



### Technical Diagram

(Units : mm)



### Hyper illuminance xenon lamp

- S150RS/S150RS-FT can be optionally equipped with a hyper illuminance xenon lamp bulb BH0647(G) upon the customers request.  
(model number : S150RHS/S150RHS-FT)
- Dimension, mounting hole and other functions are identical with normal type.



### Wiring Instructions

- External power line standard : UL1015 AWG18(0.75sq)×2C 400mm
- Product can be wired regardless of polarity



### Customization

- Hyper illuminance xenon lamp type(model number : S150RHS/S150RHS-FT)



### Ordering Specification

S150RS	-	220	-	R
[Model number]		[Voltage]		[Color]
<ul style="list-style-type: none"> <li>• S150RL</li> <li>• S150RL-FT</li> <li>• S150RS</li> <li>• S150RS-FT</li> </ul>		<ul style="list-style-type: none"> <li>• 12-DC12V</li> <li>• 24-DC24V</li> <li>• 110-AC110V</li> <li>• 220-AC220V</li> </ul>		<ul style="list-style-type: none"> <li>• R-Red</li> <li>• A-Amber</li> <li>• G-Green</li> <li>• B-Blue</li> </ul>