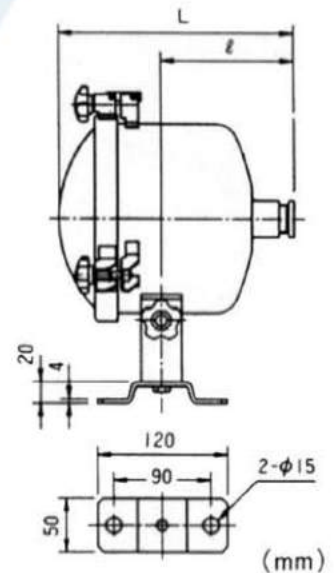
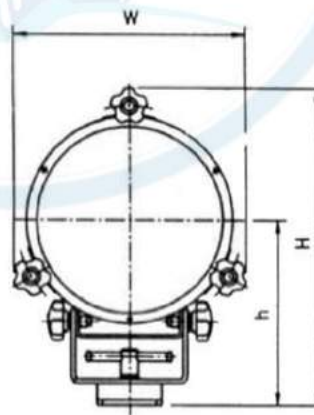
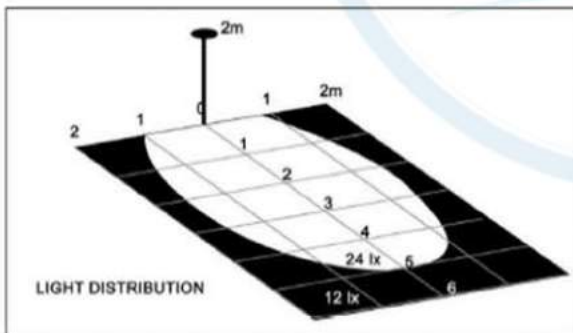


**Boat Deck Light S1RA/S2RA**



MODEL APPLICABLE LAMP	S1RA PAR46 24V 60W PAR46 24V 80W	S2RA PAR56 24V 75W PAR56 24V 150W PAR56 24V 300W PAR56 100V 150W PAR56 100V 300W PAR56 240V 300W
MATERIAL	BODY - STAINLESS STEEL	
DIP & ELEVATION ANGLE HORIZONTAL TURNING ANGLE OPTIONS	UP 60° DOWN 45° 360° RED COLOR	



MODEL	W	L	l	H	h
S1RA	186	190	108	260	154
S2RA	215	216	121	293	171

Model	Mounting	Capacity	Ingress Protection	Weight (Kg)	DM CODE
S1RA	FLANGE	60/80W	IP56	2.2 KG	B1057403
S2RA		75/300W		2.6 KG	B1057404

Spare Parts available on request