

# S60ADH



## Wall Mounted High Buzzer Horn



**S60ADH**

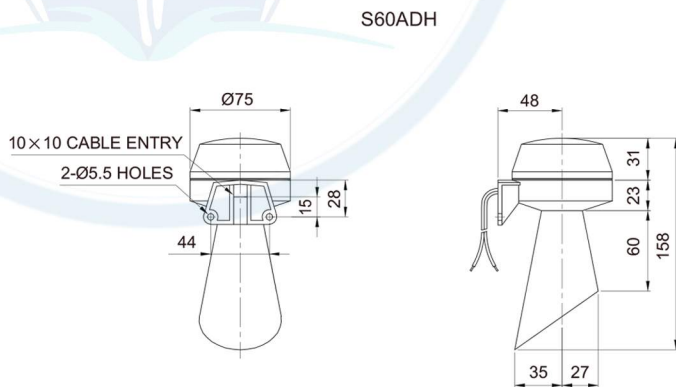
### S60ADH Max 100dB, Wall Mounted Buzzer Horn

- Elegant wall mounted buzzer horn
- Horn resonance structure gives the product low power consumption and high sound tone
- Cone sound diffusion structure provides wide & excellent signal sound transmission effect
- Sound volume : Max 100dB at 1m
- Ambient operating temperature : -25°C to +50°C
- Protection rating : IP54
- Certificates : CE Compliant

Specification					
Model number	Pre-recorded Sound	Voltage	Current	Certificate	Weight
S60ADH	1 Buzzer tone	DC12V	0.083A	CE DC24V only	0.12kg
		DC24V	0.042A		0.12kg
		AC110V	0.016A		0.12kg
		AC220V	0.008A		0.12kg

Pre-recorded Sound	Sound Pattern	Channel	dB
1 Buzzer tone	Dududu(Consecutive)	Ch1	100dB

### Technical Diagram (Units : mm)



### Customization

- 105dB strong buzzer type(Model number : S60ADH-HBZ)

### Ordering Specification

<b>S60ADH</b>	-	<b>220</b>
[Model number]		[Voltage]
• S60ADH		<ul style="list-style-type: none"> <li>• 12-DC12V</li> <li>• 24-DC24V</li> <li>• 110-AC110V</li> <li>• 220-AC220V</li> </ul>