

Floodlight for Halogen Lamps, max 1 x 200w ST76



ST76



FLOODLIGHT, MAX. 1X 200 W
FOR HALOGEN LAMPS

PART NO.

110 / 240 V AC	5101004400-004
24 V DC	5101004400-003

SPARE PARTS

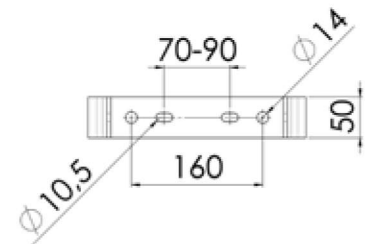
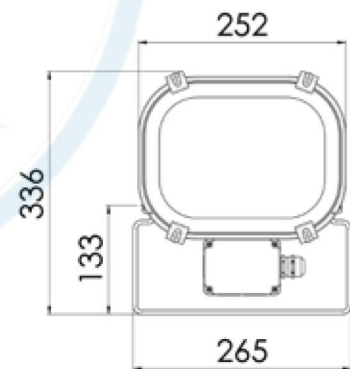
PART NO.

Cover with frame	7902001800
Reflector wide beam	7901000200
Lamp holder RX7s	7111018800
Clamps (4 pcs)	7106002400
Bracket	7501007100
Junction box	7212005400

EXTRAS

- > Execution without junction box
- > Different cable glands

Design	According to rules of maritime classification societies and relevant standards
Housing	Stainless steel, 1.4404 (AISI 316L) seamless deep drawn, powder coated white (RAL9016)
Cover	Tempered glass, DIN 12150
Mounting	Stainless steel bracket, adjustable
Reflector	Aluminium anodized, wide beam angle
Cable entry	Junction box, cable gland M20, nickel plated brass
Protection class	IP67
Weight	3.4 kg
Light source	QT-DE lamp (not included)
Lamp base	R7s
Wattage	1x 200 W
Voltage	110/240 V AC or 24 V DC
Frequency	50-60 Hz or 0 Hz



Model	Part No.	Capacity	Weight (Kg)	DM CODE
ST76	5101004400-004	1X200W	3.7	B2760002