

**High Efficient LED
Floodlight**

ST80XL



HIGH POWER LED FLOODLIGHT FOR DECKS, HOLDS, INDUSTRIAL AREAS AND SEAPORTS

PART NO.

ST80 XL 6x 22°	5101006600-000
ST80 XL 6x 37°	5101006600-006
ST80 XL 6x 52°	5101006600-007
ST80 XL 6x 91°	5101006600-008

SPARE PARTS

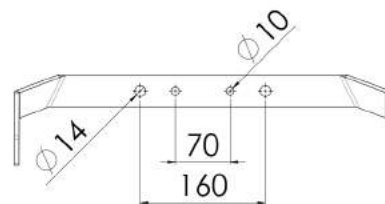
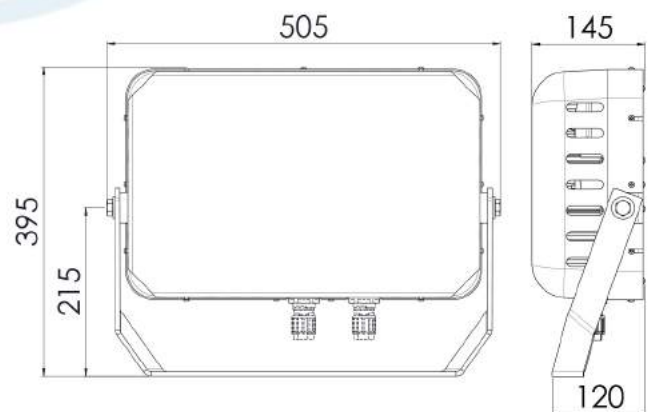
PART NO.

PC hood	7502008000
Bracket	7501000100
Cable entry	7211004800

EXTRAS

- > Reflectors with different beam angles can be combined
- > CCT also optional in 2,700-4,000 K available
- > Cable entry: 2x IDC Fast connection, 2x cable Ø 9-14 mm
- > Power supply: preinstalled connection cable 3G2.5, 3 meters
- > Stainless steel hood

Design	According to rules of maritime classification societies and relevant standards
Housing	Gear tray stainless steel 1.4404 (AISI 316L), powder coated RAL9016. Back side covered with opal PC hood
Safety pane	Tempered glass, DIN 12150, clear
Mounting	Stainless steel bracket, adjustable
Cable entry	IDC fast connection, 1x Cable Ø 9-14mm
Protection class	IP66/67
Weight	14 kg
Light source	6x LED engine
Wattage	6x 50 W
Equivalent	400 W HST/HIT
CCT (color)	5,000 K
Luminous flux	36,000 lm
Voltage	120-277 V AC
Frequency	50-60 Hz



[mm]