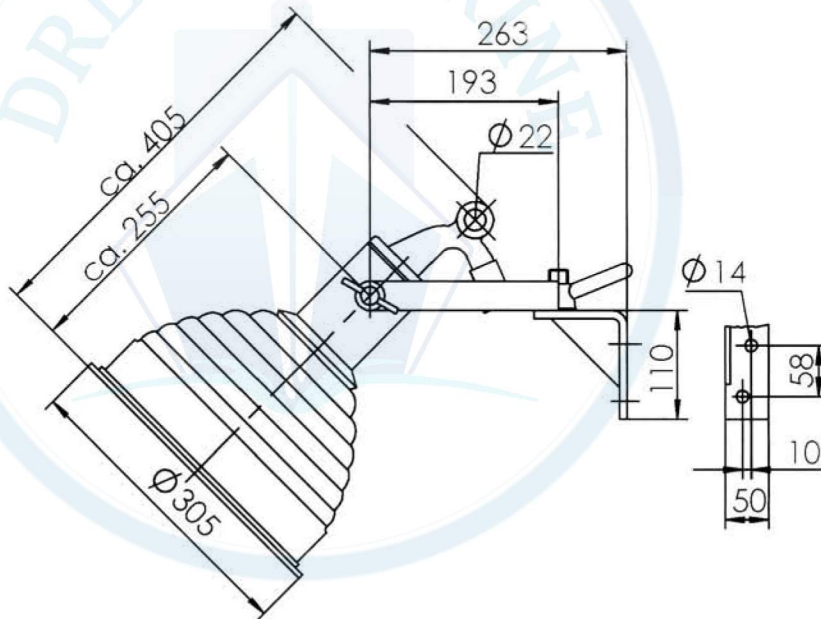


Swivelling Floodlights 1518/lg, Brass/Red Brass, max. 300W



Protection class to EN 60 529:

Voltage:

Material:

Lamp:

Equipment:

IP 56

- Incandescent lamp AC 115/230V
- High Pressure Mercury Vapour lamp AC 230 V
- Casing: brass/red brass
- Bracket: cast iron
- Incandescent lamp 300W/approx. 5.000lm
- High Pressure Mercury vapour lamp 250W/approx. 13.500lm (not included in delivery)
- Cromium plated copper reflector
- Cable gland internal part: W10

Spare Parts available on request

Type	Lamp Holder	 Kg	DM CODE
1518/LG/CH	E40	8.5	DM-W1518LGCH