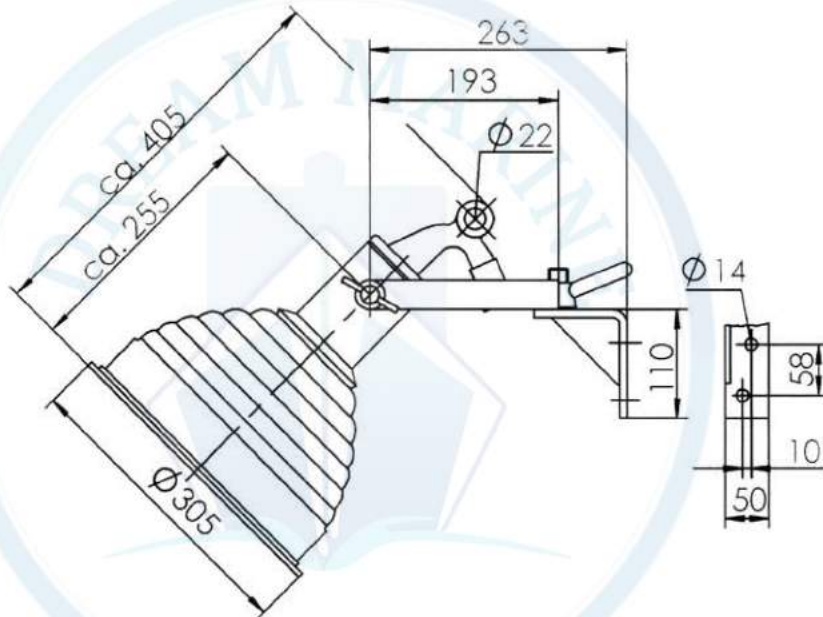


Swivelling Floodlights 1518, Brass/Red Brass, max. 200W



Protection class to EN 60 529:

Voltage:

Material:

Lamp:

Equipment:

Variations:

IP 56

- Incandescent lamp AC 115/230V

- High Pressure Mercury Vapour lamp AC 230 V

- Casing: brass/red brass

- Bracket: cast iron

- Incandescent lamp 200W/approx. 3.150lm

- High Pressure Mercury vapour lamp 125W/approx.

6.300lm (not included in delivery)


- Cromium plated copper reflector

- Cable gland internal part: W10

Ballast for 115V, 50Hz resp. 60Hz, IP 56

(housing dimensions may vary)

Spare Parts available on request

Type	Lamp Holder	 Kg	DM CODE
1518/ch	-	7,6	DM-W1518CH1
1518/ch/1954	E27	7,6	DM-W1518CH2
1518/ch/1955	B22	7,6	DM-W1518CH3