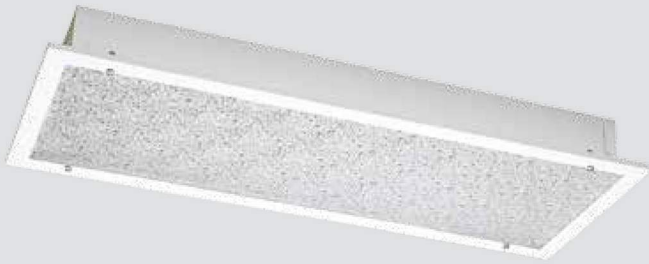


RECESSED MOUNTED CEILING LUMINAIRE FOR ACCOMMODATION AND PUBLIC AREAS

DE38



RECESSED MOUNTED CEILING LUMINAIRE FOR ACCOMMODATION AND PUBLIC AREAS

Design	According to rules of maritime classification societies and relevant standards
Housing	Galvanized steel, powder coated white (RAL9016)
Diffuser	Clear polycarbonate, ice crystal structure
Mounting	Mounting set for ceilings 23-55 mm
Cable entry	2 inlets for cables max. Ø 13 mm
Protection class	IP20 / IP44 in conjunction with ceiling, IP20 with louver
Voltage	220-240 V AC
Frequency	50-60 Hz

LED SOLUTION

DE38S	5111009610-xxx
DE38L	5111009710-xxx
Light source	Linear LP LED modules
Wattage	Max. 20 W / max. 40 W
CCT (color)	3,000 K or 4,000 K
Luminous flux	DE38S: 1,500 lm DE38L: 3,100 lm
CRI	≥ 80
Weight	3.3 kg (DE38S) 5.5 kg (DE38L)

FLUORESCENT SOLUTION

DE38 2x 18 W	5111001202-081
DE38 2x 36 W	5111007200-004
Light source	T8 fluorescent tubes (not included)
Wattage	2x 18 W 2x 36 W
Lamp base	G13
Weight	3.3 kg (DE38 2x 18 W) 5.5 kg (DE38 2x 36 W)

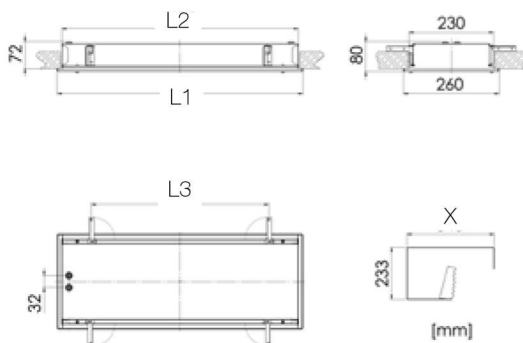
SPARE PARTS

PART NO.

Icecrystal cover (DE38S)	7931001200
Icecrystal cover (DE38L)	7931002100

EXTRAS

- > 120 V AC execution
- > 24 V DC execution
- > Dimmable
- > Emergency battery back-up
- > Different mounting sets
- > Different louvers and diffusers
- > 4 inlets for cables max. Ø 13 mm



TYPE	L1	L2	L3	X
DE38S	660	635	475	640
DE38L	1270	1245	1076	1250