

## Marine Floodlight With Ballast DM-TG15



DM-TG15 is a compact marine standard heavy duty stainless steel floodlight with a separate control gear box for High pressure sodium lamp or Metal Halide Lamp, the high protect grade and heavy duty materials make it suitable for outdoor uses under rough conditions for places like weather decks, docks, Oil field, and oil platform .



### Application:

Weather Decks, ports, ramps, industrial and sport ground.

### Standard:

Designed according to rules of relevant maritime classification societies, additional VDE and IEC

### Housing:

Deep-drawn stainless steel SUS304 ( or SUS316L at request)

### Reflector :

Highly polished anodized aluminum for spot beam 20° , optional flood beam 55° at customers' specific requirement.



### Finish:

Powder coated white RAL9016 and enameled up to 70 - 80µm thickness

### Cable:

External junction box with a brass cable gland M24x1.5 for cables of  $\Phi 12 \sim 14\text{mm}$

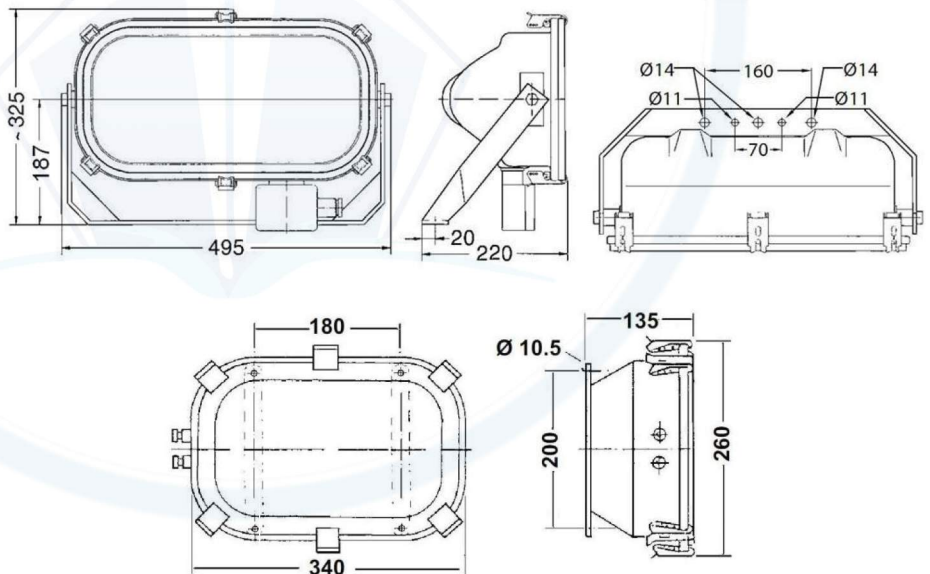
### Mounting:

Adjustable bracket with 5 mounting holes (2  $\times 11\text{mm}$ , and 3  $\times 14\text{mm}$ )

### Lamp:

Sodium/Metal Halide lamp of E40 base max 400W. Also for Mercury Lamp HT400W in special cases.

**Protection Grade:** IP67



Description	DM CODE
DM-TG15 FLOODLIGHT W/O BALLAST	DM-TG15FLD
DM-TG15 FLOODLIGHT WITH110V 400W 60HZ BALLAST	DM-TG15WB110
DM-TG15 FLOODLIGHT WITH 220V 400W 60HZ BALLAST	DM-TG15WB220
GIBA BOX WITH HPS BALLAST 110V 400W 60Hz	DM-TG15BLST110
GIBA BOX WITH HPS BALLAST 220V 400W 60Hz	DM-TG15BLST220