

Marine Floodlight DM-TG24



TG24 (GIFL1000W) is a compact marine standard heavy duty stainless steel floodlight for halogen lamp for any places where instant light is required. The external junction box enables easy and convenient wire-connection, the high protect grade and heavy duty materials make it suitable for outdoor uses under rough conditions for places like weather decks, docks, Oil field, and oil platform .



Application:

Weather Decks, ports, ramps, industrial and sport ground.

Standard:

Designed according to rules of relevant maritimetime classification societies, additional VDE and IEC

Housing:

Deep-drawn stainless steel SUS304 (or SUS316L at request)

Reflector :

Highly polished aluminum, anodized

Finish:

Powder coated white RAL9016 and enameled up to 70 - 80µm thickness

Cable:

External junction box with a brass cable gland M24x1.5 for cables of $\Phi 12 \sim 14$ mm

Mounting:

Adjustable bracket with 5 mounting holes (2 \times 11mm, and 3 \times 14mm)

Lamp:

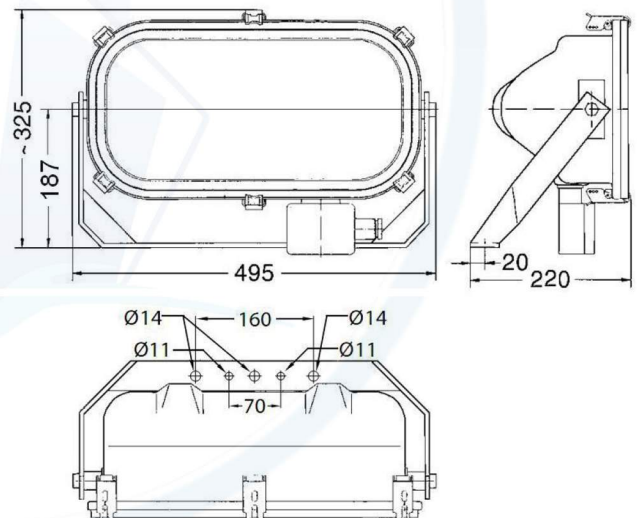
Halogen lamps of E40 base max JT1000W

Protection Grade:

IP67

Beam Distribution:

Our standard is spot beam 20° , optional flood beam 55° at customers' specific requirement.



Lamps & holders Designation:

Description	Artno.
Double Envelop Halogen Lamp JT110V 500W E40	791271
Double Envelop Halogen Lamp JT230V 500W E40	791272
Double Envelop Halogen Lamp JT110V 1000W E40	791280
Double Envelop Halogen Lamp JT230V 1000W E40	791273
Tubular Porcelain Lamp holder TE40	793509