

Marine Brass Explosion-proof Exd II CT4 Incandescent Pendant Light

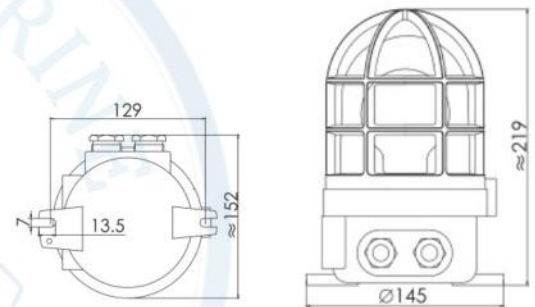


The scope of application

Suitable for illumination for possible accumulation of explosive gas mixtures of cabin or outdoor spaces

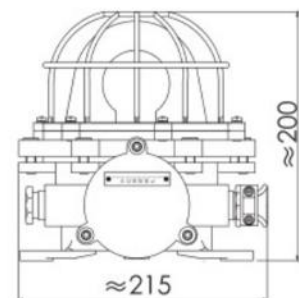
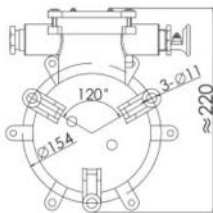
Products feature

- 1.The shell adopts good quality cast brass,lampshade adopts hard borax glass brass protective guard.
- 2.The lamp body adopts seal structure with high waterproof and corrosion resistance.
- 3.The lamps can work normally under the temperature -20°C \square $+40^{\circ}\text{C}$.
- 4.Cable outside diameter is \square 10 \square & 12 \square .



TYPE	VOLT	WATTS	BASE	WEIGHT	PROTECTION CLASS	DM CODE
CFD	24/110V/220V	60W	E27	4.0KG	IP66	C3150403

Marine Explosion-proof Exd II CT4 Incandescent Pendant Light



Products feature

- 1.The shell adopts good quality cast brass,lampshade adopts hard borax glass,with stainless steel protective guard.
- 2.The lamp body adopts seal structure with high waterproof and corrosion resistance.
- 3.The lamps can work normally under the temperature -20°C \square $+40^{\circ}\text{C}$.
- 4.Cable outside diameter is \square 9 \square & 11 \square .

The scope of applications

Suitable for illumination for possible accumulation of explosive gas mixtures , explosive gas atmospheres II A, II B, II C, temperature class :220V/60W \square 100W for T1 \square T4, 24V/25W for T1 \square T6 cabin or outdoor spaces

TYPE	VOLT	WATTS	BASE	WEIGHT	PROTECTION CLASS	DM CODE
CFD3/4	24/110V/220V	25-100W	E27	10.4KG	IP66	C3150404