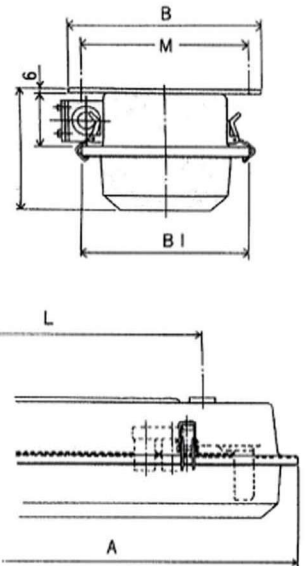
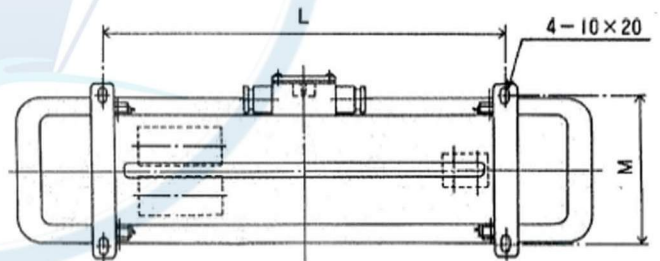


## Watertight Fluorescent Ceiling Light with Globe & Guard FLC-2248/4248T



INGRESS PROTECTION	IP 56
MATERIAL	STEEL PLATE, MARINE GREEN PAINT COATED
DIFFUSER	CLEAR POLYCARBONATE, CONVEX LINES DESIGN FOR BETTER LIGHT DISPERSION
CLAMP BRACKET	STAINLESS STEEL
SOURCE VOLTAGE	110V 60Hz / 220V 50Hz / 220V 60Hz
OPTIONS	RS - RAPID START BALLAST B - EMERGENCY BACKUP BATTERY E - ELECTRONIC BALLAST

MODEL	Dimension (mm)				
	A	B	BI	L	M
FLC-2148T	715	220	185	500	190
FLC-2248T	715	220	185	500	190
FLC-4148T	1333	220	185	1100	190
FLC-4248T	1333	220	185	1100	190



Model	Configuration	Weight (Kg)	IMPA	DM CODE
FLC-2148T	1X20W, JB-01 JOINT BOX	4.0 KG	781871	DM-FLC2148T
FLC-2248T	2X20W, JB-01 JOINT BOX	4.8 KG	791872	DM-FLC2248T
FLC-2148RT	1X20W, EMERGENCY HOLDER B15 OR E12, JB-02 JOINT BOX	4.2 KG	---	DM-FLC2148RT
FLC-2248RT	2X20W, EMERGENCY HOLDER B15 OR E12, JB-02 JOINT BOX	5.0 KG	---	DM-FLC2248RT
FLC-4148T	1X40W, JB-01 JOINT BOX	8.4 KG	791873	DM-FLC4148T
FLC-4248T	2X40W, JB-01 JOINT BOX	10.5 KG	791874	DM-FLC4248T
FLC-4148RT	1X40W, EMERGENCY HOLDER B15 OR E12, JB-02 JOINT BOX	8.6 KG	---	DM-FLC4148RT
FLC-4248RT	2X40W, EMERGENCY HOLDER B15 OR E12, JB-02 JOINT BOX	10.7 KG	---	DM-FLC4248RT

Spare Parts available on request