

**BERTH LIGHT WITH SWITCH AND SWIVELING REFLECTOR  
FOR INSTALLATION IN ACCOMODATION AREAS**



KJ15



**PART NO.**

KJ15 Type A	5117000300-003
KJ15 Type B	5117000400-003

**SPARE PARTS**

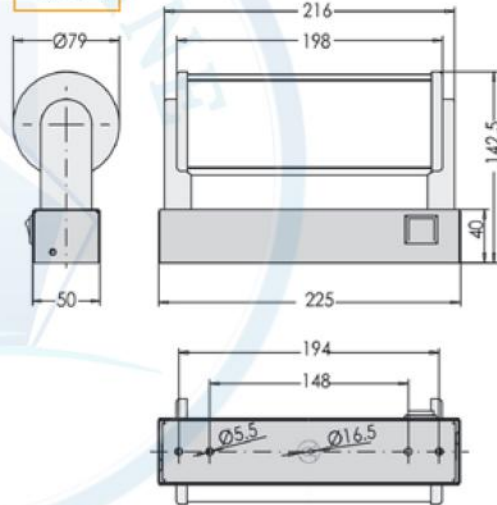
**PART NO.**

End caps	7112018600
----------	------------

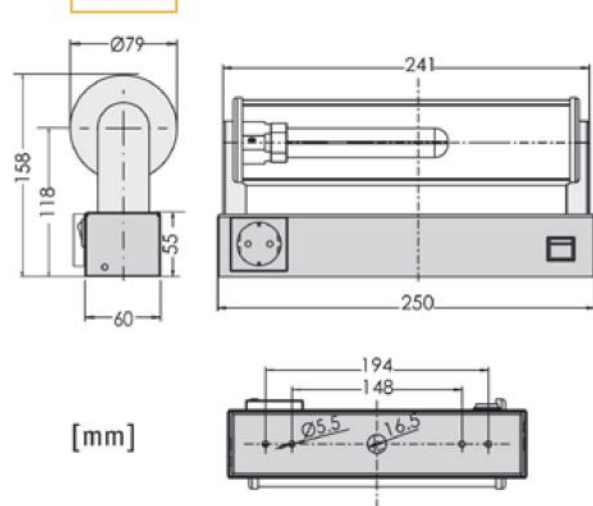
BERTH LIGHT WITH SWITCH AND SWIVELING REFLECTOR FOR INSTALLATION IN ACCOMODATION AREAS

<b>Design</b>	According to rules of maritime classification societies and relevant standards
<b>Housing</b>	Galvanized steel, powder coated white (RAL9016)
<b>End caps</b>	Polycarbonate, white
<b>Reflector</b>	Galvanized steel, powder coated white (RAL9016)
<b>Switch</b>	On / off switch, 2-pole
<b>Mounting</b>	2 mounting holes, Ø 5.5 mm
<b>Cable entry</b>	1 inlet for cables max. Ø 11 mm
<b>Protection class</b>	IP20
<b>Weight</b>	Type A: 0.8 kg / Type B: 1.0 kg
<b>Lamp base</b>	E27
<b>Wattage</b>	Max. 40 W (lamp not included)
<b>Voltage</b>	220-240 V AC or 110-120 V AC
<b>Frequency</b>	50-60 Hz

Type A



Type B



[mm]