

**SURFACE LUMINAIRE FOR KITCHENS, PANTRIES,
PROVISION STORES AND COLDROOMS**



KL/KR61Z



SURFACE LUMINAIRE FOR KITCHENS, PANTRIES,
PROVISION STORES AND COLDROOMS

Design	According to rules of maritime classification societies and regulation of USPH
Base plate	Stainless steel
Cover	Clear polycarbonate, impact proof, UV-resistant
Mounting	6/8 mounting holes, Ø 5.2 mm
Cable entry	2x M20 PA6 cable glands
Protection class	IP56 / IP67
Voltage	220-240 V AC
Frequency	50-60 Hz

LED SOLUTION FOR KITCHEN AND COLDROOM

KL/KR61ZS	5107000800-xxx
KL/KR61ZL	5107001000-xxx
Light source	Linear LP LED modules with anti glare cover
Wattage	KL/KR61ZS max. 20 W KL/KR61ZL max. 40 W
Luminous flux	KL/KR61ZS 2,200 lm KL/KR61ZL 4,500 lm
CCT (color)	4,000 K
CRI	≥ 80

FLUORESCENT SOLUTION FOR KITCHEN

KL61ZS	51060007x0-xxx
KL61ZL	51060008x0-xxx
Light source	T8/T5 fluorescent tubes (not included)
Wattage	KL61ZS: 2x 18 W / 2x 14 W KL61ZL: 2x 36 W / 2x 28 W

FLUORESCENT SOLUTION FOR COLDROOM

KL61ZS	51060007x0-xxx
KL61ZL	51060008x0-xxx
Light source	T5 fluorescent tubes (not included)
Wattage	KR61ZS: 2x 24 W KR61ZL: 2x 50 W

SPARE PARTS PART NO.

Clear cover KL/KR61ZS	7112038300
Clear cover KL/KR61ZL	7112020000
Mounting kit for lamp cover (6 pcs)	7508002800
Gasket KL/KR61ZS	7301007600
Gasket KL/KR61ZL	7301007700

★ EXTRAS

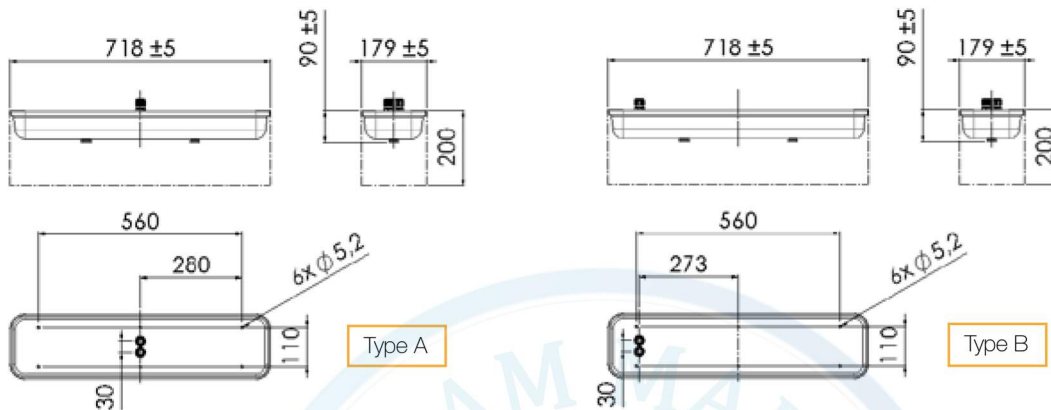
- > 120 V AC execution
- > 24 V DC execution
- > LED mounting tray as refit for KL/KR61Z fluorescent types
- > Different color temperatures on request for LED
- > Different cable glands

**SURFACE LUMINAIRE FOR KITCHENS, PANTRIES,
PROVISION STORES AND COLDROOMS**

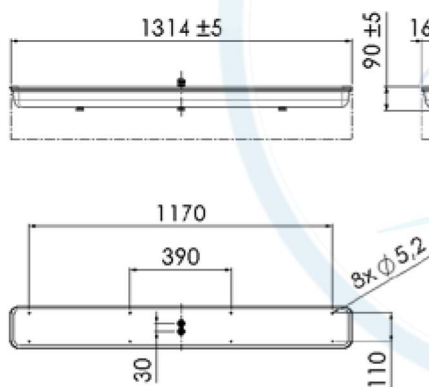


KL/KR61Z

KL/KR61ZS [mm]



KL/KR61ZL [mm]



FAMILY	WATTAGE	LAMP BASE	PART NO.	APPLICATION	CABLE ENTRY	WEIGHT
KL/KR61ZS	max. 20 W	LED	5107000800-020	Kitchen and coldroom	Type A	3.0 kg
KL/KR61ZL	max. 40 W	LED	5107001000-007	Kitchen and coldroom	-	5.5 kg
KL61ZS	2x 14 W	G5	5106000700-041	Kitchen	Type A	2.7 kg
KL61ZS	2x 18 W	G13	5106000710-010	Kitchen	Type A	3.0 kg
KL61ZL	2x 28 W	G5	5106000800-020	Kitchen	-	5.0 kg
KL61ZL	2x 36 W	G13	5106000810-005	Kitchen	-	5.1 kg
KR61ZS	2x 24 W	G5	5106000700-042	Coldroom	Type A	2.7 kg
KR61ZL	2x 50 W	G5	5106000800-021	Coldroom	-	5.5 kg