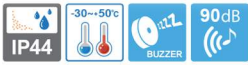


# S150 series

## Ø150mm Xenon Lamp Strobe Light



S150UL/ S150US



S150UL-FT/ S150US-FT

### Common Specifications(S150UL/ S150US)

- Mounting bracket allows convenient installation in case of XXX-FT type
- Built-in buzzer available (Volume : Max 90dB at 1m)
- Flashing rate : 60-80 flashes/min
- Materials : Lens - PC, Housing - ABS, Reflector - Heat resistant ABS, Mounting bracket - STS
- Ambient operating temperature : -30°C to +50°C
- Protection rating : IP44

### S150UL/ S150UL-FT LED Steady/ Flashing Signal Lights

- Built-in switch for selection between steady and flashing mode

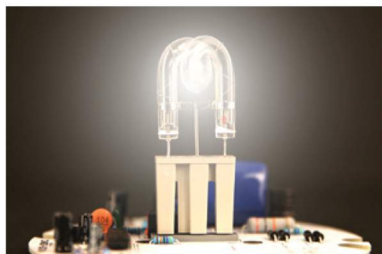
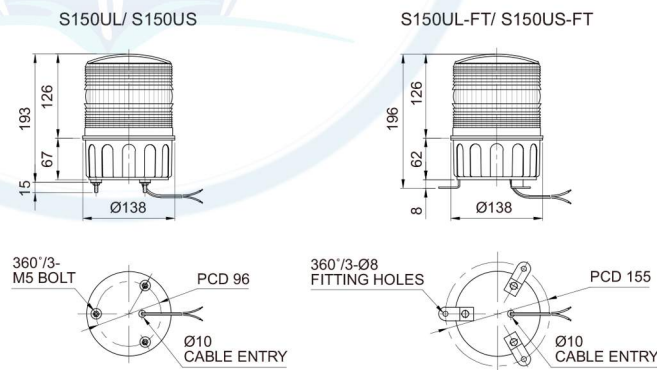
Model number	Voltage	Current	Certificates	Weight	Color
S150UL	DC12V	0.300A	-	0.52kg	• R-Red
	DC24V	0.200A		0.52kg	• A-Amber
S150UL-FT	AC110V	0.060A		0.92kg	• G-Green
	AC220V	0.030A		0.92kg	• B-Blue

### S150US/ S150US-FT Xenon Lamp Strobe Signal Lights

- Connector type lamp socket allows convenient lamp replacement

Model number	Voltage	Current	Spec	Bulb		Certificates	Weight	Color
				Standard	Parts no			
S150US	DC12V	1.001A	200V -550V	EUB0641 -1A(G) U Type	48	-	0.56kg	• R-Red
	DC24V	0.616A					0.56kg	• A-Amber
S150US-FT	AC110V	0.133A					0.54kg	• G-Green
	AC220V	0.106A					0.54kg	• B-Blue

### Technical Diagram (Units : mm)



### Hyper illuminance xenon lamp

- S150US/S150US-FT can be optionally equipped with a hyper illuminance xenon lamp bulb BH0647(G) upon the customers request. (model number : S150UHS/S150UHS-FT)
- Dimension, mounting hole and other functions are identical with normal type.

### Wiring Instructions

- External power line standard : UL1015 AWG18(0.75sq)×2C 400mm
- Product can be wired regardless of polarity

### Customization

- 2 buzzer sound types : Both prolonged(beep, beep) and staccato(beep, beep, beep) buzzer output available
- Hyper illuminance xenon lamp type(model number : S150UHS/S150UHS-FT)

### Ordering Specification

S150UL	-	BZ	-	220	-	R
[Model number]		[Buzzer option]		[Voltage]		[Color]
• S150UL		• None		• 12-DC12V		• R-Red
• S150UL-FT		• No buzzer		• 24-DC24V		• A-Amber
• S150US		• BZ		• 110-AC110V		• G-Green
• S150US-FT		• Built-in buzzer		• 220-AC220V		• B-Blue