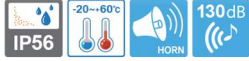


SANA series



Air Horns for Vessels and Heavy Industrial Applications



SANA200-200-300HZ
SANA400-400-600HZ
SANA700-700-800HZ



SANA200

Common Specifications(SANA200/ SANA400/ SANA700)

- High volume horn uses compressed air to power the high pitched sound made with the diaphragm
- Uses a special material which consumes a small quantity of compressed air and has long durability
- Suitable for applications like a large and noisy engine rooms, a phone alarm in a pump room, or as an emergency alarm
- Sound volume : Max 130dB at 1m
- Housing standard color : ● R-Red, ● B-Black, ● 7.5BG-MUNSELL No.7.5BG 7/2
- Materials : Horn-PC, Solenoid valve box-ABS
- Air pressure : 5-7kg/cm²
- Ambient operation temperature : -20°C to +60°C
- Protection rating : IP 56
- Certificates : KIMM Compliant

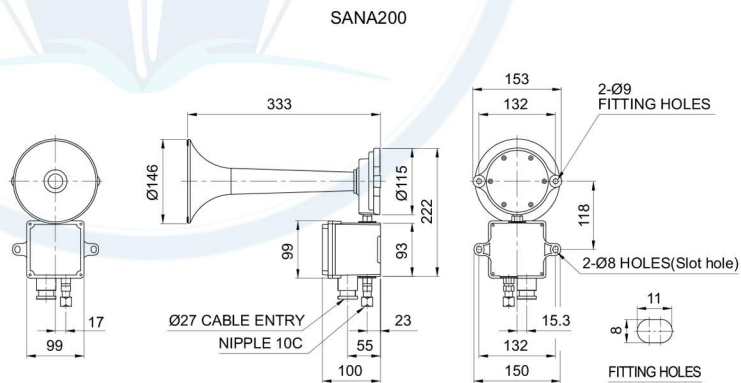
Model number	Frequency	Volume	Certificates	Weight	Voltage	Current	Color
SANA200	200-300Hz	Max 130dB		1.19kg	DC24V	0.448A	● R-Red
SANA400	400-600Hz			1.13kg	AC110V	0.111A	● BK-Black
SANA700	700-800Hz			1.07kg	AC220V	0.055A	● 7.5BG

SANA200 200-300Hz

Technical Diagram (Units : mm)

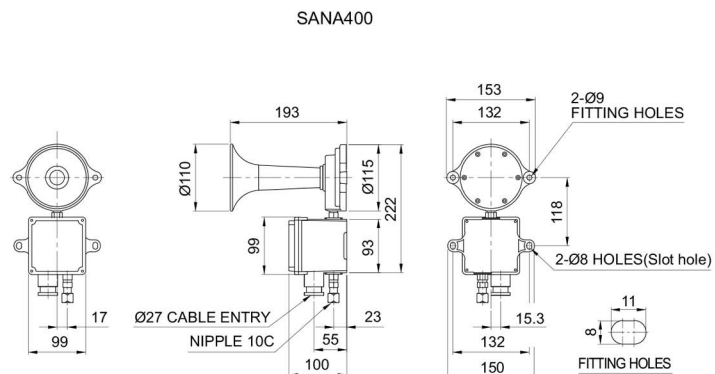


SANA400



SANA400 400-600Hz

Technical Diagram (Units : mm)



SANA series

Qlight

Air Horns for Vessels and Heavy Industrial Applications

SANA700 700-800Hz

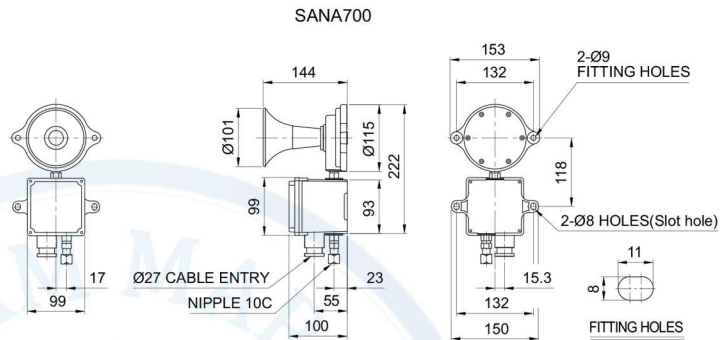


Technical Diagram

(Units : mm)



SANA700



Ordering Specification

SANA200	220	R
[Model number]	[Voltage]	[Color]
• SANA200	• 24-DC24V	• R-Red
• SANA400	• 110-AC110V	• BK-Black
• SANA700	• 220-AC220V	• 7.5BG



Customization

- Horn and solenoid valve box available separately for individual installation
- Non return valve and Y filter installation



Non return valve



Y filter

QEB

Explosion Proof Solenoid Valve Box



QEB

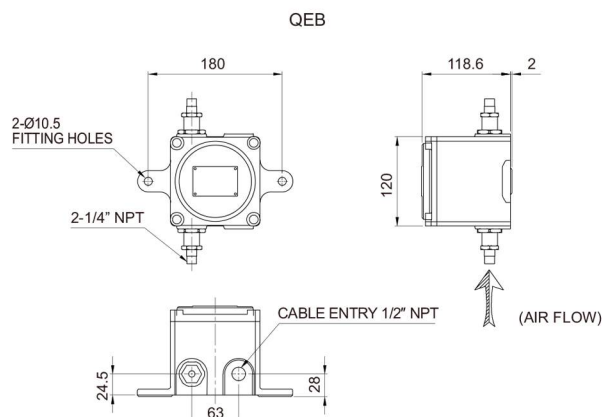
QEB Explosion Proof Solenoid Valve Box

- Materials : Housing, Cover-Al
- Ambient operation temperature : $-40^{\circ}\text{C} \leq T_{\text{amb}} \leq +60^{\circ}\text{C}$
- Protection rate : Ex d IIC T6, IP66
- Certificates : KIMM Compliant
- Left picture has a cable gland installed, explosion proof cable gland configuration is available as a customized option



Technical Diagram

(Units : mm)



Ordering Specification

QEB	24
[Model number]	[Voltage]
• QEB	• 24-DC24V
	• 110-AC110V
	• 220-AC220V