

SC series

Warning Light & Electric Horn Combinations



SC series can combine all of our warning light and electric horn products into a single combination model depending on your specific needs

SC1

The budget model of small-sized warning light and electric horn combinations

- Protection rating : IP44

Specification for Standard Model

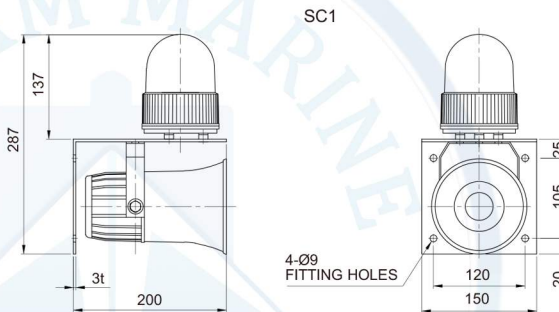
- Standard combination includes S100R products combination with SRN (same as pictured to the left)

Technical Diagram

(Units : mm)



SC1



Customization

- Warning light : Select one from S100 series(Please refer to page 63-69) for the combination
- Electric horn : Select one from SN, SRN, SEN15/ 25(Please refer to page 383-384) for the combination

SC2

Most commonly used standard-sized warning light and electric horn combination model

- Protection rating : IP44

Specification for Standard Model

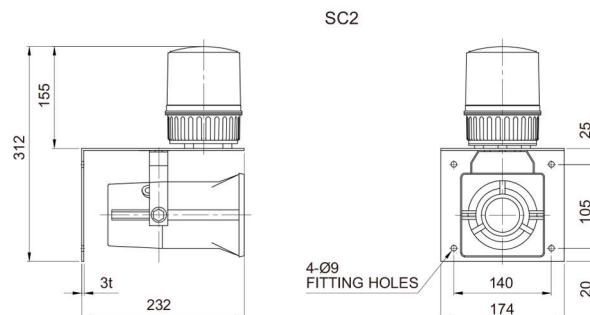
- Standard combination includes S125U products combined with the SEN15 (Same as pictured to the left)

Technical Diagram

(Units : mm)



SC2



Customization

- Warning light : Select one from S125 series(Please refer to page 70-76) for the combination
- Electric horn : Select one from SN, SRN, SEN15/25(Please refer to page 383-384) for the combination



SC series

Warning Light & Electric Horn Combinations



SC3

Waterproof, dustproof type warning light and electric horn combinations

- Protection rating : IP56



Common Specifications

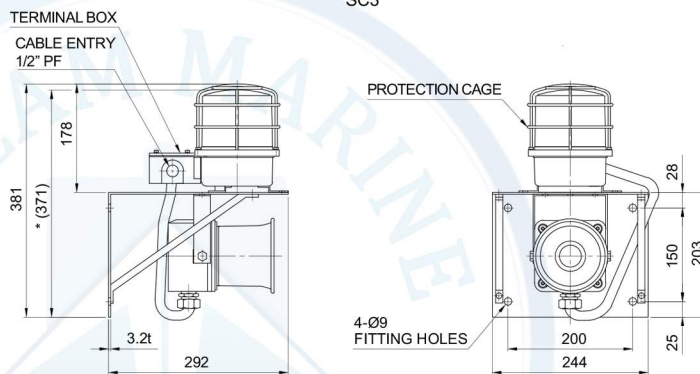
- Combination of SH1-2T and signal horn SEWN30L(Same as pictured to the left)



Technical Diagram

(Units : mm)

SC3



* (371) represents SC3 size without protection cage.



SC3



Customization

- Warning light : Select between models SH1P-2T and SH2P-2T series (Please refer to page 153-159)
- Electric horn : Choose one model among SEWN30L/50L, SEHN25 and SEHN50 (Please refer to page 179-174)
- Stainless steel bracket



Standard Model Number

SC1	-	220	-	R
[Model number]		[Voltage]		[Color]
<ul style="list-style-type: none"> • SC1 (S100R+SRN) • SC2 (S125U+SEN15) • SC3 (SH1P-2T+SEWN30L) 		<ul style="list-style-type: none"> • 12-DC12V • 24-DC24V • 110-AC110V • 220-AC220V 		<ul style="list-style-type: none"> • R-Red • A-Amber • G-Green • B-Blue



Ordering Specification

SC3	-	(SH1P-2T	-	R	+	SEWN30L	-	WS)	-	220
[Model number]			[Light type]		[Color]		[Horn type]		[Sound]			[Voltage]
• SC1	• Select 1 model among S100 series	• R-Red • A-Amber • G-Green • B-Blue	• Select 1 model among SN, SRN and SEN15/25	• WS -Warning sounds • WP -Special warning sounds • WM -Melodies • WA -Alarms • WV -Customizable voices	• 12-DC12V • 24-DC24V • 110-AC110V • 220-AC220V							
• SC2	• Select 1 model among S125 series		• Select 1 model among SRN and SEN15/25									
• SC3	• Select 1 model among SH1P-2T and SH2P-2T series		• Select 1 model among SEWN30L/50L and SEHN25/50									

* Light sources can be selected among LED revolving, LED steady/flashing, xenon strobe and bulb revolving type.