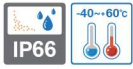


# SEA series

## Ø150mm Explosion Proof Warning/ Signal Lights

# Qlight



**SEALR**



**SEAL**



Flameproof warning/ signal lights applied in areas where combustible substances such as oil are carried in bulk on a vessel.



### Common Specifications(SEALR/ SEAL/ SEAS/ SEA)

- Large explosion proof warning/ signal lights with excellent visibility for long distance
- A variety of light source selections from bulb, LED, and xenon lamp
- Aluminum housing provides excellent durability
- Fully enclosed structure with protection rating of IP66
- Integrated housing and terminal box model
- Housing standard color : MUNSELL No. 7.5BG 7/2
- Cable entry : 1/2" NPT
- Materials : Lens-Tempered glass, Inner lens-PC, Housing-Al, Protection cage-ST316L, Reflector for LED type-PC/ Reflector for bulb type-Heat resistant ABS
- Certificates : IECEX, ATEX, NEPSI, KIMM, KOSHA, ABS, CCS, KR
- Explosive protection rating :  
IECEX - Ex d IIC T6 Gb, IP66  
ATEX -  $\text{Ex}$  II 2G Ex d IIC T6, IP66  
NEPSI, KIMM, KOSHA - Ex d IIC T6, IP66
- Ambient operating temperature :  $-40^{\circ}\text{C} \leq T_{\text{amb}} \leq +60^{\circ}\text{C}$



### SEALR LED Revolving Warning Light

- Excellent omni-directional visibility with LED light collecting system and special multifaceted reflector
- Revolving speed : 120-140RPM

Model number	Voltage	Current	Certificates	Weight	Color
SEALR	DC12V	0.183A		5.33kg	<ul style="list-style-type: none"> <li>• R-Red</li> <li>• A-Amber</li> <li>• G-Green</li> <li>• B-Blue</li> </ul>
	DC24V	0.127A		5.33kg	
	AC110V	0.035A		5.74kg	
	AC220V	0.017A		5.74kg	



### SEAL LED Steady/ Flashing Signal Light

- Long-lasting high intensity LED light source
- Suitable for applications where bulb replacement is difficult
- Built in switch for steady/flashing selection
- Flashing rate : 60-80 flashes/min

Model number	Voltage	Current	Certificates	Weight	Color
SEAL	DC12V	0.182A		4.87kg	<ul style="list-style-type: none"> <li>• R-Red</li> <li>• A-Amber</li> <li>• G-Green</li> <li>• B-Blue</li> </ul>
	DC24V	0.163A		4.87kg	
	AC110V	0.044A		5.25kg	
	AC220V	0.022A		5.25kg	



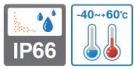
### Customization

- Explosion proof cable gland attached type available (Standard type does not come with explosion proof cable gland)
- Customized 2 way cable entries
- Customized cable entry (3/4" NPT, M20×1.5, M25×1.5) available
- ATEX certified type
- IECEX certified type

# SEA series

## Ø150mm Explosion Proof Warning/ Signal Lights

# Qlight



SEAS



SEA

### **SEAS Xenon Lamp Strobe Signal Light**

- Lamp connector fastening structure allows for convenient lamp replacement
- High efficiency strobe light offers excellent visibility for long distances
- Flashing rate : 60-80 flashes/min

Model number	Voltage	Current	Bulb			Certificates	Weight	Color	
			Spec	Standard	Parts no				
SEAS	DC12V	1.001A	200V -550V	EUB0641 -1A(G) U Type	48		5.39kg	<ul style="list-style-type: none"> <li>• R-Red</li> <li>• A-Amber</li> <li>• G-Green</li> <li>• B-Blue</li> </ul>	
	DC24V	0.616A							5.39kg
	AC110V	0.133A							5.35kg
	AC220V	0.106A							5.35kg

### **SEA Bulb Revolving Warning Light**

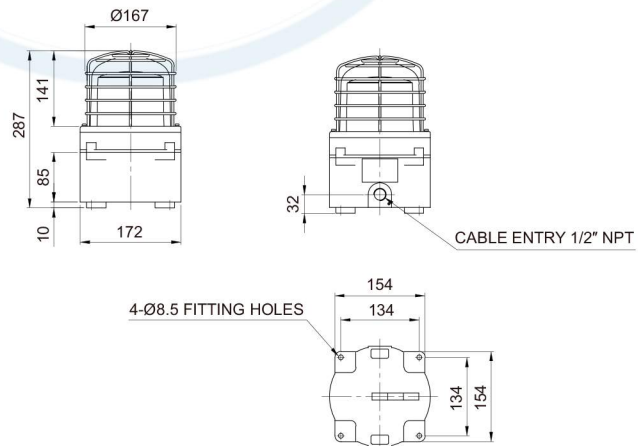
- Excellent diffusion effect with special multifaceted reflector
- Revolving speed : 120-140RPM

Model number	Voltage	Current	Bulb			Certificates	Weight	Color	
			Spec	Standard	Parts no				
SEA	DC12V	1.155A	12V15W	G23 15S	17		5.36kg	<ul style="list-style-type: none"> <li>• R-Red</li> <li>• A-Amber</li> <li>• G-Green</li> <li>• B-Blue</li> </ul>	
	DC24V	0.766A	24V15W	G23 15S	18				5.36kg
	AC110V	0.204A	12V15W	G23 15S	17				5.75kg
	AC220V	0.102A	12V15W	G23 15S	17				5.75kg

### **Technical Diagram**

(Units : mm)

SEALR/ SEAL/ SEAS/ SEA



### **Ordering Specification**

SEA	220	R
[Model number]	[Voltage]	[Color]
<ul style="list-style-type: none"> <li>• SEALR</li> <li>• SEAL</li> <li>• SEAS</li> <li>• SEA</li> </ul>	<ul style="list-style-type: none"> <li>• 12-DC12V</li> <li>• 24-DC24V</li> <li>• 110-AC110V</li> <li>• 220-AC220V</li> </ul>	<ul style="list-style-type: none"> <li>• R-Red</li> <li>• A-Amber</li> <li>• G-Green</li> <li>• B-Blue</li> </ul>