

SESA series

Explosion Proof Warning/ Signal Light and Max 118dB Electric Horn Combinations



Explosion proof warning light and electric horn combinations with sound output of Max 118dB



SESALR



SESAL



SESAS

Common Specifications(SESALR/ SESAL/ SESAS/ SESA)

- Large explosion proof warning light and electric horn combinations
- A variety of light sources and sound selections to fit your sophisticated application needs
- Aluminum housing provides excellent durability
- Fully enclosed structure with protection rating of IP66
- Integrated housing and terminal box model
- Sound volume : Max 118dB at 1m(Volume adjustable)
- Standard housing color : MUNSSELL No. 7.5BG 7/2
- Cable entry : 1/2" NPT
- Materials : Lens-Tempered glass, Filter-PC, Housing-Al, Protection cage-SUS316L, Reflector for LED type-PC/Reflector for bulb type-Heat resistant ABS
- Certificates : IECEx, ATEX, NEPSI, KIMM, KOSHA, ABS, CCS, KR, CCC(F)
- Protection rating :
 - IECEx - Ex d IIC T6 Gb, IP66
 - ATEX - Ex II 2G Ex d IIC T6, IP66
 - NEPSI, KIMM, KOSHA - Ex d IIC T6, IP66
- Ambient operating temperature : $-40^{\circ}\text{C} \leq T_{\text{amb}} \leq +60^{\circ}\text{C}$

SESALR LED Revolving Warning Light and Electric Horn Combination

- Excellent omni-directional visibility with LED light collecting system and special multifaceted reflector
- Revolving speed : 120-140RPM

Model number	Voltage	Current	Sound pattern and volume	Certificates	Weight	Color
SESALR	DC12V	2.633A	• WS-5 Warning sounds : 118dB		8.31kg	<ul style="list-style-type: none"> • R-Red • A-Amber • G-Green • B-Blue
	DC24V	1.288A	• WP-5 Special warning sounds : 118dB		8.31kg	
	AC110V	0.308A	• WM-5 Melodies : 118dB		7.92kg	
	AC220V	0.154A	• WA-5 Alarms : 115dB • WV-5 Customizable voices : 113dB		7.92kg	

SESAL LED Steady/ Flashing Signal Light and Electric Horn Combination

- Long product lifetime with the application of a high intensity LED light source
- Suitable for locations where bulb replacement is inconvenient
- Built in switch for steady/flashing selection
- Flashing rate : 60-80 flashes/min

Model number	Voltage	Current	Sound pattern and volume	Certificates	Weight	Color
SESAL	DC12V	2.511A	<ul style="list-style-type: none"> • WS-5 Warning sounds : 118dB • WP-5 Special warning sounds : 118dB • WM-5 Melodies : 118dB • WA-5 Alarms : 115dB • WV-5 Customizable voices : 113dB 		8.42kg	<ul style="list-style-type: none"> • R-Red • A-Amber • G-Green • B-Blue
	DC24V	1.222A			8.42kg	
	AC110V	0.286A			9.02kg	
	AC220V	0.143A			9.02kg	

SESAS Xenon Lamp Strobe Signal Light and Electric Horn Combination

- Lamp connector fastening structure allows for convenient lamp replacement
- High efficiency strobe light offers excellent visibility for long distances
- Flashing rate : 60-80 flashes/min

Model number	Voltage	Current	Bulb			Sound pattern and volume	Certificates	Weight	Color
			Spec	Standard	Parts no				
SESAS	DC12V	2.933A	200V -550V	EUB0641 -1A(G) U Type	48	<ul style="list-style-type: none"> • WS-5 Warning sounds : 118dB • WP -5 Special warning sounds : 118dB • WM-5 Melodies : 118dB • WA-5 Alarms : 115dB • WV -5 Customizable voices : 113dB 		8.45kg	<ul style="list-style-type: none"> • R-Red • A-Amber • G-Green • B-Blue
	DC24V	1.411A						8.45kg	
	AC110V	0.360A						8.86kg	
	AC220V	0.220A						8.86kg	

SESA series

Explosion Proof Warning/ Signal Light and Max 118dB Electric Horn Combinations



SESA

SESA Bulb Revolving Warning Light and Electric Horn Combinations

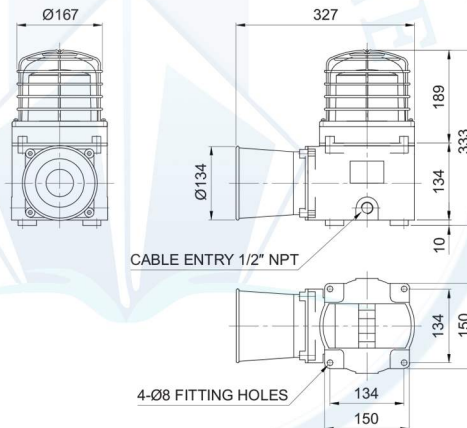
- Excellent diffusion effect with special multifaceted reflector
- Revolving speed : 120-140RPM

Model number	Voltage	Current	Bulb			Sound pattern and volume	Certificates	Weight	Color
			Spec	Standard	Parts no				
SESA	DC12V	3.755A	12V15W	G23 15S	17	• WS-5 Warning sounds :118dB • WP		8.57kg	<ul style="list-style-type: none"> • R-Red • A-Amber • G-Green • B-Blue
	DC24V	1.788A	24V15W	G23 15S	18	• -5 Special warning sounds :118dB			
	AC110V	0.422A	12V15W	G23 15S	17	• WM-5 Melodies : 118dB • WA-5 Alarms : 115dB • WV			
	AC220V	0.211A	12V15W	G23 15S	17	• -5 Customizable voices : 113dB			

Technical Diagram

(Units : mm)

SESALR/ SESAL/ SESAS/ SESA

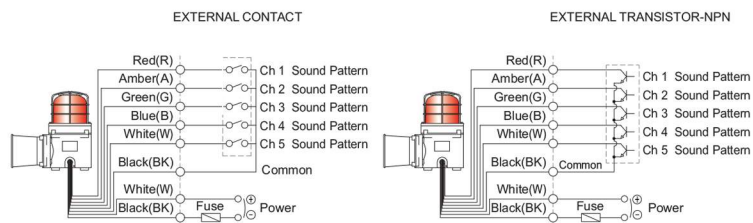
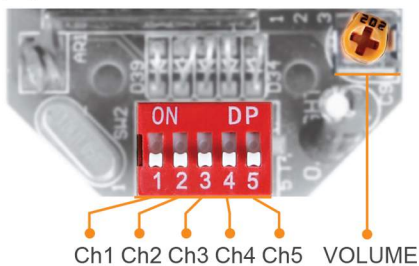


Sound Selection Instructions and Wiring

• Standard type : Select sound using the switch inside of the unit. When you turn on the dip switch for each channel, designated sound is played.

• Customization : External contact(LC)
Customization of signal line threading can be choice between external contact and transistor which can be fit for control unit.

SESA SERIES-DC/AC



Customization

- Built-in explosion proof cable gland type
- 2 way cable entries
- Customized cable entry (3/4" NPT, M20×1.5, M25×1.5) available
- ATEX compliant products
- IECEx compliant products

Ordering Specification

SESAS	WS	220	R
[Model number]	[Sound]	[Voltage]	[Color]
<ul style="list-style-type: none"> • SESALR • SESAL • SESAS • SESA 	<ul style="list-style-type: none"> • WS-Warning sounds • WP-Special warning sounds • WM-Melodies • WA-Alarms • WV-Customizable sounds 	<ul style="list-style-type: none"> • 12-DC12V • 24-DC24V • 110-AC110V • 220-AC220V 	<ul style="list-style-type: none"> • R-Red • A-Amber • G-Green • B-Blue