

Marine Floodlight Halogen 300/500W TG-18



TG18 (GIFL500WR7S) is a compact marine standard heavy duty stainless steel floodlight for halogen lamp for any places where instant light is required. The external junction box enables easy and convenient wire-connection, the high protect grade and heavy duty materials make it suitable for outdoor uses under rough conditions for places like weather decks, docks, Oil field, and oil platform .



Application:

Weather Decks, ports, ramps, industrial and sport ground.

Standard:

Designed according to rules of relevant marintime classification societies, additional VDE and IEC

Housing:

Deep-drawn stainless steel SUS304 (or SUS316L)

Reflector :

Highly polished aluminum, anodized

Finish:

Powder coated white RAL9016 and enameled up to 70 - 80µm thickness

Cable:

External junction box with a brass cable gland M24x1.5 for cables of $\Phi 12 \sim 14\text{mm}$

Mounting:

Adjustable bracket with 5 mounting holes (2 $\times 11\text{mm}$, and 3 $\times 14\text{mm}$)

Lamp:

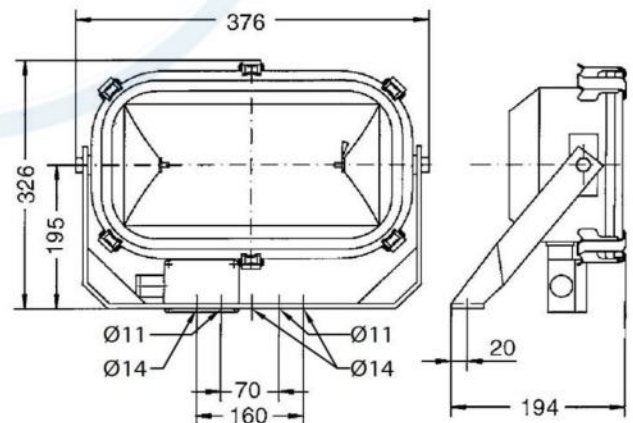
Halogen lamps of R7s base J118 max 500W

Protection Grade:

IP67

Beam Angle:

Our standard is spot beam 20° , optional flood beam 55° at customers' specific requirement.



Lamps & holders Designation:

S/No.	Description	Artno.
1	Halogen Lamp 110V 300W R7s	791261
2	Halogen Lamp 230V 300W R7s	7791261-2
3	Halogen Lamp 110V 500W R7s	791262
4	Halogen Lamp 230V 500W R7s	91263
5	Porcelain Lamp holder R7s - J118, pair set with wire	7331903