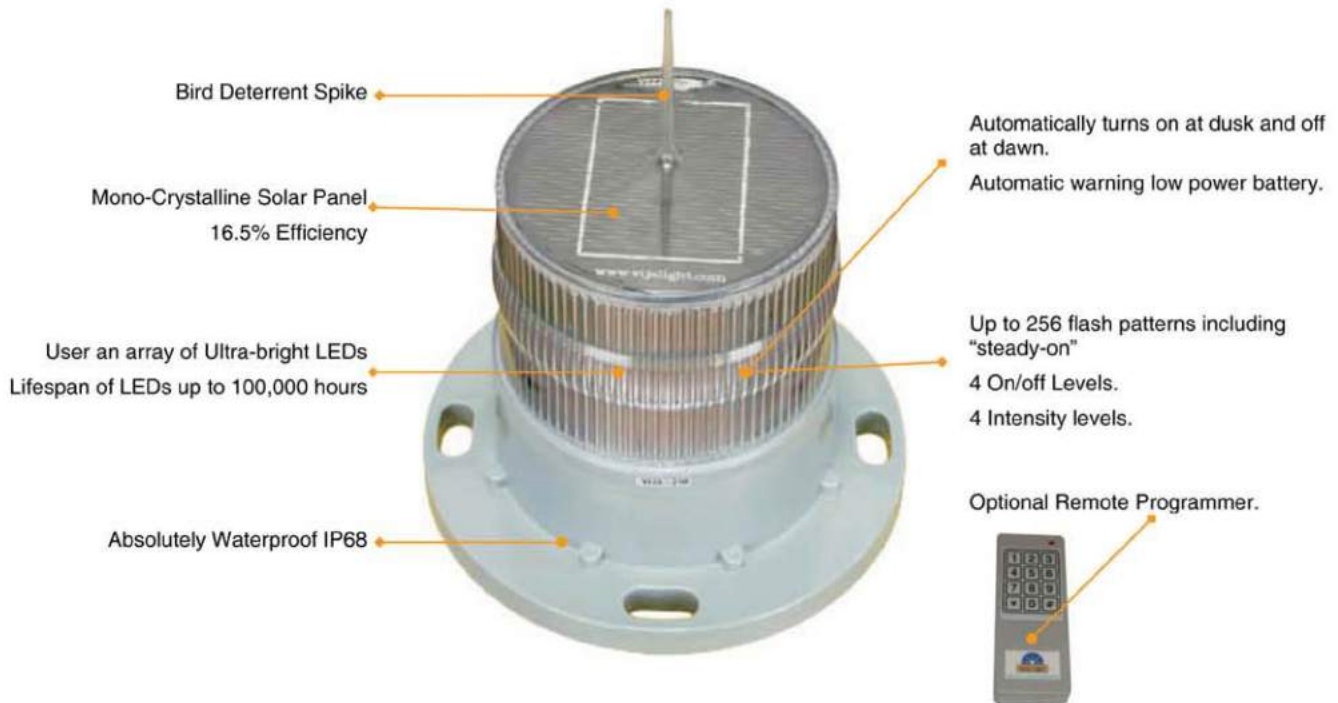


2÷3nm Solar-Powered Led Signal Lantern VIJA-218



VIJALight® Model: VIJA-218 is an intelligent self-contained Solar-Power LED Signal Lantern, with automatic operation, High-performance solar panel, very effective to any application with 2÷3 Nautical miles (3.7÷5.5 kms) of viewing range in area less sunlight.



TECHNOLOGY:

- Using an array of Ultra-bright LEDs, with an operating lifespan of up to 100,000 hours, the VIJA-218 can produce five color light output - Red, Green, Blue, Amber, White - that meets international chromaticity requirements.
- Using EEPROM memory makes the lantern to work with previous setup after changing new battery.
- Integrated Intelligent software:
 - Automatic off mode after 18hrs in store.
 - Automatic operation when installed.
 - Automatic warning if low battery.
 - Automatic stopping charging if full battery.
 - Battery can be charged by pulse mode.

MARINE APPLICATIONS:

- Private Aids to Navigation.
- Port and Marina Entrances.
- Public piers, docks and marine walkways.
- Offshore oil & gas rigs.
- Research Buoys, Breakwaters.

AVIATION APPLICATIONS:

- Obstruction Lighting,
- Telecommunication Towers
- Runway caution Lighting
- Building, tower & fence lighting
- Heliport lighting
- Apron edge lighting
- Parking compounds

QUALITY MANUFACTURING:

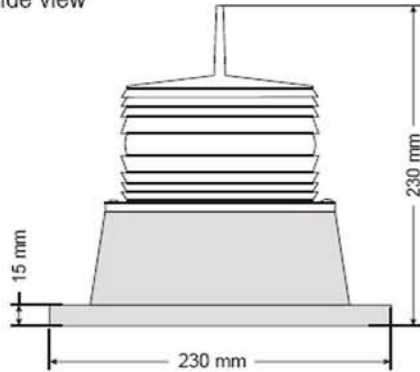
Manufactured in accordance with
ISO 9001:2008 Quality Assurance Standards.

WARRANTY: 3 years

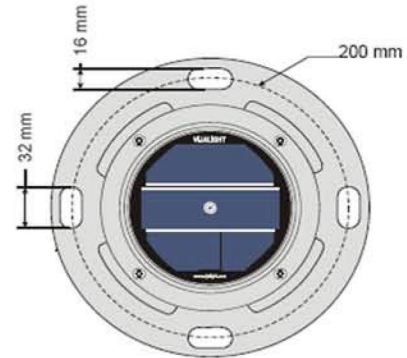
2÷3nm Solar-Powered Led Signal Lantern VIJA-218



Side view



Top view



SPECIFICATIONS

Viewing Range¹ (<i>Transmissivity of 0.74</i>)	2 Nautical Miles (\approx 3.7 kms)	
Reflector Type	Vertical Divergence	9°
	Horizontal Output	360°
Operation	Autonomy ² (<i>at full charge</i>)	> 25 days (12 hours darkness, 12.5% duty cycle)
	On/off level	4 On/Off levels.
	Illumination Technology	Ultra-bright Intensity Light Emitting Diodes (LEDs)
	Available Color	Amber, Blue, Green, Red, White.
	Lifespan of LED's	up to 100,000 hours
	Chromatists of Color Output	Meet IALAs & ICAO specification
	Available Flash Patterns	Up to 256 flash patterns (user adjustable)
Solar Characteristics	Control	Remote Programmer (<i>optional</i>)
	Solar Module Type	Mono-Crystalline Silicon (c-Si)
	Output	1.08 Watt
Power Supply	Solar Module Efficiency	16.5%
	Battery Type	NiMH Rechargeable Battery - Environment friendly
	Battery Capacity	5 Ah
Physical Characteristics	Replaceable Battery	Yes
	Lens Material	UV Stabilized Polycarbonate
	Body Material	Polycarbonate
	Mounting	4 x 16 mm mounting holes on 200 mm PCD
Weight	Product Life Expectancy	Up to 12 years
	Weight	3.3 lbs (1.5 kg)
Certifications	Temperature Range	- 40° to +176° F (- 40° to +80° C)
	Waterproof	As per IP68
	CE Approval	As per EN 60945:2002
	Quality Assurance	ISO 9001:2008
Option Available	10Ah NiMH Rechargeable Battery	
	Remote Programmer; VIJA Lantern Mounting Bolt Kit	

¹ Actual viewing range is dependant on flash mode, intensity and LED color.

² Actual figures for Autonomy depend on the intensity level setting.

* All specifications are subject change without notice.

