

**Explosion Proof Junction Boxes, Brass, T6,
Ignition Protection `e`**



- Explosion protection:** II 2G EEx e II T6
Zone: 1
Certificates: PTB 03 ATEX 1155
Protection class to EN 60 529: IP 56
Ambient temperature: -50°C up to +100°C
Voltage: max. 690 V
Rated current:
 - 2,5mm²: max. 22 A
 - 4,0mm²: max. 30 A
 - 6,0mm²: max. 39 A
- Material:** Brass
Equipment:
 - 2 terminal blocks 4mm²
 - Cable gland M 24x1,5, internal parts Z14
 - Position of cable entries is exchangeable
- Variations:** Cable gland M 18x1,5, M 20x1,5 or M 25x1,5, internal parts W or Z
Terminals/Poles Logo:
 1mm² up to 6mm², 4-pole + 2 PE
 pole capacity:
 - 3 x 6mm² single wire
 - 3 x 4mm² fine wire
 - 4 x 4 mm² single wire

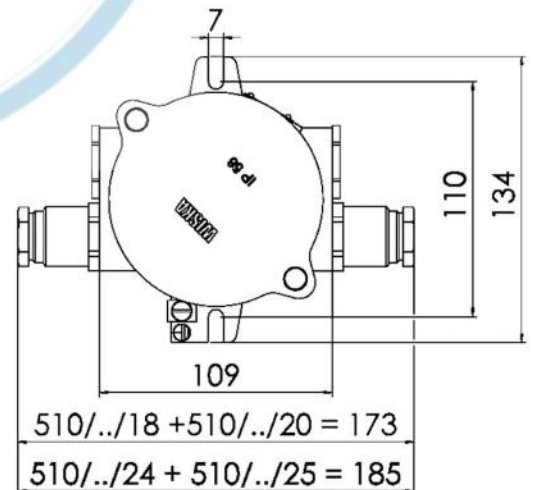
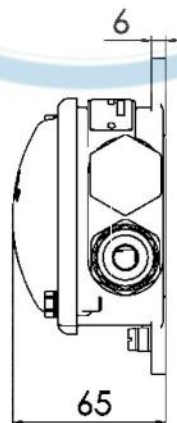
**Accessories / Spare parts for
Junction boxes, brass**



Ex-stop ends
Ex-VSM 24



EX-cable glands
Ex-KVM 24



Type	Gland	Kg	DM CODE
510/D		1.2	C3805100
510/2		1.2	C3805102
510/3		1.3	C3805103
510/4		1.4	C3805104