

HNA-Sockets with Switch, DIN 89263



Protection class to EN 60 529:

Voltage:

Kind of current:

Current intensity:

Material:

Switch:

Socket interior:

Equipment:

Variations:

IP 56

250 V

AC

10 A

- Brass/red brass

- Screw cap: polyamide, reinforced glass fibre

- .../We = Change-over switch, 1-pole, DIN 89322-6/1

- .../P = On-Off switch, 2-pole, DIN 89322

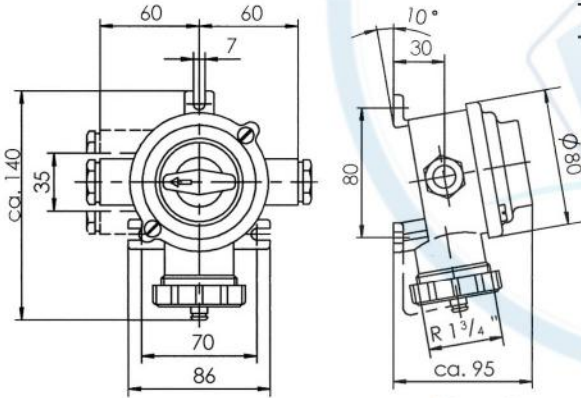
2-pole, DIN 89320, version 2, up to 250V

Cable entries M 24 x 1,5/Z14

- .../MS = brass/red brass screw cap

- .../150V = version 1, up to 150V

- 2-pole On-Off switch 16A (not according to standards)



1842



138/250V



SK/FS-HNA

TYPE		Weight	DM CODE
1144/We		1,2	DM-1144WE
1144/R/We		1,2	DM-1144RWE
1144/2/We		1,3	DM-11442WE
1144/2/R/We		1,3	DM-11442RWE
1144/D/We		1,3	DM-1144DWE
1144/P		1,2	DM-1144P
1144/R/P		1,2	DM-1144RP
1144/2/P		1,3	DM-11442P
1144/2/R/P		1,3	B3114421
1144/D/P		1,3	B3114422

SPARE PARTS	TYPE	DISC:	DM CODE
Switch interiors	1842	Switch interior, On-Off, 2-pole, 10A, 250V, DIN 89322-1/2	B3111842
	1842/16A	Switch interior, On-Off, 2-pole, 16A, 250V (not standard)	B311184216A
	1843	Change-over switch interior, 1-pole, 10A, 250V, DIN 89322-6/1	B3111843
Socket interiors	138/250V	Socket interior, 2-pole + E, version 2 up to 250V, 16A, DIN 89320	B3111380
Screw caps	SK/MS-HNA	Screw cap HNA, brass/red brass, with chain	DM-SKMSHNA
	SK/FS-HNA	Screw cap HNA, plastic, with chain	DM-SKFSHNA