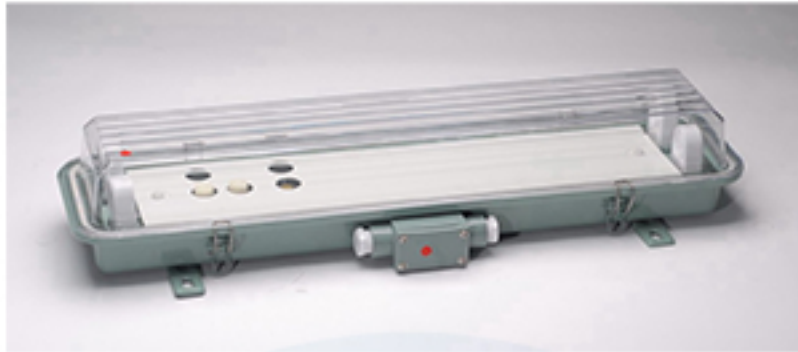


Watertight Fluorescent Ceiling Light

ZYC26/46 series



Scope of Application:

Applicable for illumination of water-droplets, water-spattering, or dew-coagulating places on ships, such as the engine rooms, dry cabins, tunnels, pipeline routeway and weather decks, etc

Housing:

Formed by deep-drawn carbon-steel, or galvanized steel

Lamp Diffuser:

PC injection lamp shade, with water-tight sealing structure

Wiring:

Complete inside pre-wiring, equipped with a junction box on both sides for convenient connection to 220V or 24V power supply respectively. Only one Junction box is available for models without emergency Lamp.

To prevent possible electric shock, a copper earthing-terminal marked with ⚡ is installed outside the fixtures

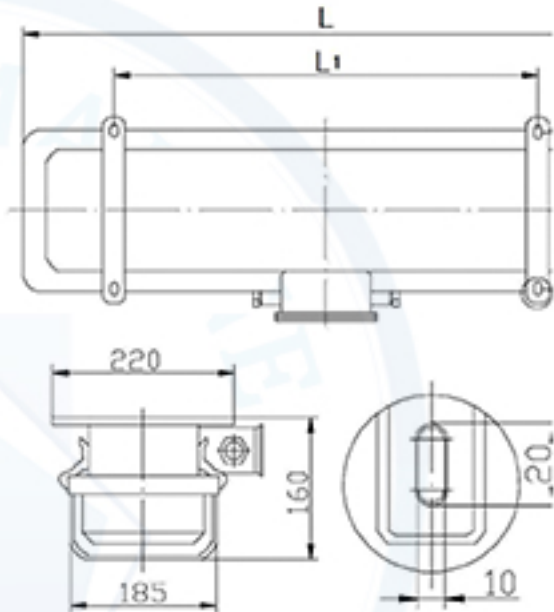
Ballast & Capacitor:

Equipped with a set of heavy duty magnetic ballasts and a compensating capacitor for reliable operation and rapid-start. The electronic ballasts are also available at customer's option.

Emergency Lamp:

The light fittings with a ● mark on the surface of PC shade are equipped with a Ba15d lamp holder for emergency built 10W/15W. The emergency bulbs should be ordered separately

The light fittings with a ● mark on the surface of PC shade are equipped with a battery, an automatic charger emergency bulb of 24V 15W, this emergency bulb will automatically work for not less than 180minutes in case of power t



Specifications:

型号 Type	ZYC26 -1/1E	ZYC26 -1F/1EF	ZYC26 -2/2E	ZYC26 -2F/2EF	ZYC46 -1/1E	ZYC46 -1F/1EF	ZYC46 -2/2E	ZYC46 -2F/2EF
L(mm)	715				1335			
L1(mm)	500				1100			
重量 (Kg)Weight	5.0/5.1	5.5/5.6	5.5/5.6	6.0/6.1	10.0/10.1	11.0/11.1	10.5/10.6	11.5/11.6
H(mm)	130	150	130	150	130	150	130	150
功率 Power	1X20W		2X20W		1X40W		2X40W	
电压 / 频率 Voltage/frequency	110V/60HZ 220V/60HZ 220V/50HZ							
功率因数 Power factor	> 0.85							
灯座 Lamp holder	G13							
防护等级 Protection class	IP67							