

Maintenance Free Stationary Lead-acid Battery FVL

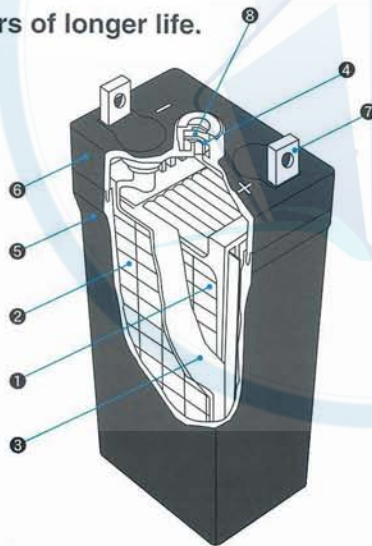


In advanced information society, in which is maintained with computerized system, uninterrupted power should be necessary in 24 hours.

We, The Furukawa Battery Co., Ltd., have been contributing with supplying of reliable stationary batteries to cope with such societal demand.

"FVL Series" is a maintenance free stationary lead-acid battery which was developed to realize higher performance and 15 years of longer life.

Construction



| Part Name | Material |
|------------------|---|
| ① Positive plate | Lead-Calcium alloy Lead Peroxide (PbO ₂) |
| ② Negative plate | Lead-Calcium alloy Sponge Peroxide (Pb) |
| ③ Separator | Glass fiber unwoven fabric |
| ④ Safety valve | Synthetic rubber |
| ⑤ Container | ABS resin |
| ⑥ Cover | ABS resin |
| ⑦ Terminal | Lead alloy |
| ⑧ Filter | Ceramic |

Features

● Long Life

With using of grid alloy and active materials that were improved with advanced technology, "FVL Series" has an expected life of approx. 15 years(at 25°C of ambient temperature).

● Cost saving

Longer life shall bring cost reduction on actual running.

● Maintenance free

"FVL Series" requires no additional water during the service life.

| Type | Nominal Voltage [V] | Rated Capacity (Ah) | | Outer Dimension (mm) | | | Approx. Weight kg | DM-CODE |
|---------|---------------------|-----------------------|-------------|----------------------|-------|--------|-------------------|-----------|
| | | 10-hour rate | 1-hour rate | Height | Width | Length | | |
| FVL-200 | 2 | 200 | 130 | 365 | 170 | 106 | 15 | DM-FVL200 |
| FVL-300 | 2 | 300 | 195 | 365 | 170 | 150 | 22 | DM-FVL300 |