



适用范围

- 1、适用于船舶夜间航行作远距离搜索照明之用，尤其是通过狭窄航道、内河河道等比较复杂的水域时照射航道及两岸，水面搜索用；
- 2、经中国船级社 "CCS" 认证，认证编号 ZJ20P4028-6。
- 3、经美国船级社 "ABS" 认证，认证编号 18-SQ1799333-PDA。

产品特点

- 1、壳体采用优质不锈钢板模压成型，优质不锈钢支架，优质钢化玻璃灯罩，优质 304 不锈钢底座，选用进口电机；
- 2、灯具可通过操纵杆箱向上 20°，向下 50°，水平 350°远距离调节，配操纵杆箱；
- 3、平行的光束，射程远，光照集中；
- 4、符合《钢质海船入级规范》；
- 5、产品具有无线遥控功能，能无线 100 米控制操作灯总成，领先国内同行水平，并通过产品设计专利。
- 6、专利号：ZL 201420804513.3。

规格 Specifications

型号 Type	电压 Voltage	功率 Power	光通量 Lm Luminous flux	灯座 Lamp holder	光源 Illuminant	电缆外径 Cable outside diameter	防护等级 Protection class	重量 Weight
TG26-A	220V/50Hz	300W	6900	GY9.5	卤钨灯 Tungsten halogen light	Φ10-Φ12	IP66	40kg
TG27-A		500W	12500					40kg
TG28-A	220V/60Hz	1000W	23000	GX9.5		Φ14-Φ16		60kg
		2000W	53000	GY16				

The scope of application

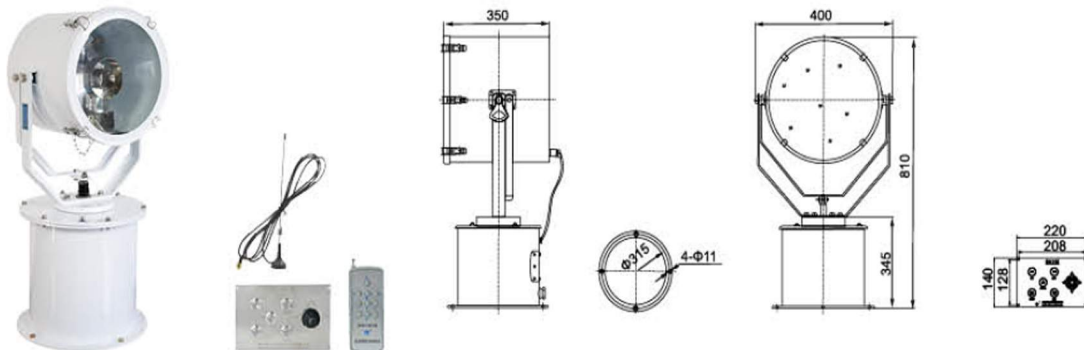
1. Applied to far distance illumination and searching when night navigation, especially for illumination of sea-route and two banks and surface search when across the complex water area, such as narrow channel and the inland river riverway etc.
2. Approval by CCS(China Classification Society), certificate number ZJ20P4028-6.
3. By the American Bureau of Shipping "ABS" certification, certificate number 18-SQ1799333-PDA.

Products characteristic

1. The shell is made of good quality stainless steel, has good quality stainless steel bracket, good quality toughened glass lampshade, high quality stainless steel 304 base, adopt import electrical machine.
2. The lamp can adjust up 20°, down 50° by operating box, adjust far distance of 350° horizontally, equipped operating box.
3. Parallel light-beam, far illumination distance, concentrated light.
4. Conform to 《GRADE ENTRY NORMS FOR STEEL SHIPS》.
5. Products with wireless remote control, can control the operation of the wireless 100 m lamp assembly, the leading domestic Line level, and through product design patents.
6. Patent No.: ZL 201420804513.3.

TG26-A、TG27-A 探照灯

Searchlight



TG28-A 探照灯

Searchlight

