



# Audible Signals - Explosion Proof GRP SOUNDER

## Explosion Proof Sounder > GRP SD150 Series

### Product overview

The SD150 electronic sounder range has been approved for use in potentially explosive atmospheres and very harsh environmental conditions.

Typical applications are Oil and Gas, On-shore and Offshore, Chemical, Petrochemical, Refineries & Marine locations etc.

The unit incorporates a three stage alarm option with 60 tones to choose from.

All tones can be pre-set during installation.

The units also have the ability to be fitted with a telephone initiation function and can be used as the second ring output indicator for telephones when installed in very noisy environments.

The design allows for termination inside the enclosure.

The sounder is supplied with a mounting bracket as standard.

### Features/Certifications

- Approved by ATEX, IECEx
- CQST (Available on request only)
- ATEX: Ex d IIC T4~ T6 Gb, Ex tb IIIC T135°C~T85°C
- Zones 1, 2, 21 & 22
- Conforms to:  
EN 60079-0:2012 (IEC 60079-0:2011),  
EN-60079-1:2007 (IEC 60079-1:2007)  
EN 60079-31:2009 (IEC 60079-31:2008)
- Volume control
- Dustproof & Weatherproof

## SD150 Series > Ordering Information

Standard  
Product  
Selection

	Voltage	Duty Label	Tag Label	Cable Entry	Finish Colour	Telephone Initiated
<b>SD150</b> +	<b>DC</b> 12 - 48v	<b>Y</b> = Yes	<b>Y</b> = Yes	<b>A</b> = M20	<b>RD</b> = Red <b>YW</b> = Yellow <b>BU</b> = Blue	<b>Y</b> = Yes
	<b>AC</b> 100 - 240v	<b>N</b> = No	<b>N</b> = No	<b>B</b> = M25	<b>BL</b> = Black <b>OR</b> = Other	<b>N</b> = No

Follow the chart (right) to generate your part code.

**MODEL CONFIGURATOR** (By using the table above, complete this box sequence to select your required sounder).

<b>SD150</b>	<input type="text"/>	<input type="text"/>	<input type="text"/>	<input type="text"/>	<input type="text"/>	<input type="text"/>
	Voltage	Duty Label	Tag Label	Cable Entry	Finish Colour	Telephone Initiated

**Kg** 5.4

**°C** -40+70

**IP** 66

**dB** 113\*

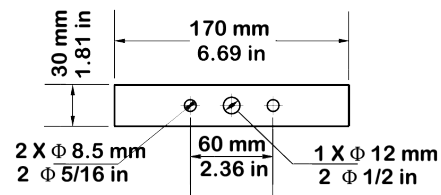
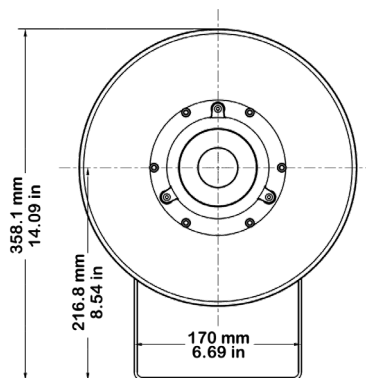
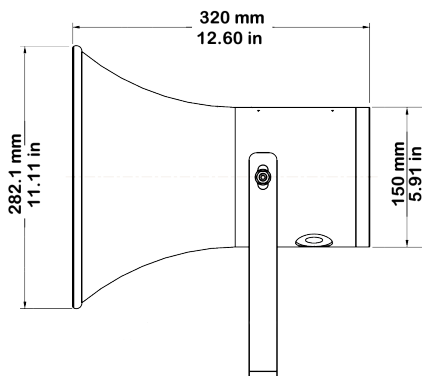
**MARINE**

**INDUSTRIAL**

**GRP**

APPROVALS and  
CONFORMITIES





## Explosion Proof Sounder > GRP SD150 Series

### General Information

EX CODE:	Ex d IIC T4~ T6 Gb, Ex tb IIIC T135°C~T85°C
CERTIFICATION:	ATEX (Nemko 14 1009X), IECEx (NEM14.0005X) CQST (Available on request only)
TYPE:	Electronic Sounder
SOUNDER:	3 Stage alarm with 60 Selectable tones
POWER RATING:	5-20 Watts Adjustable
SOUND OUTPUT:	Up to 113 dB at 1 metre (+/- 3 dB) *
AMBIENT TEMPERATURE:	-40 to +70
HUMIDITY:	≤ 95% RH

### Mechanical Specifications

MATERIAL:	Enclosure: GRP (Glass Reinforced Plastic) & Bracket: Stainless Steel 316
ENCLOSURE COLOUR:	Red (RAL3001), Yellow (RAL1003) Blue (RAL5005), Black (RAL9004)
WEIGHT:	5.4 Kg / 11.9 lb
DIMENSIONS:	Length: 320mm / 12.7" See outline drawing for other dimensions
INGRESS PROTECTION:	IP 66
<b>Electrical Specifications</b>	
POWER SUPPLY:	≤48v Dc or 100-240v Ac (50/60 Hz), ≤20W
TERMINATION:	Accepts upto ≤ 2.5mm <sup>2</sup> incorporating rising clamp protectors
CABLE ENTRY:	2 x M20 or M25. For 1/2" or 3/4"NPT requirements, male/female adapter glands are available. Contact sales dept for further part codes.
CURRENT CONSUMPTION:	Sounder 250 mA - 1500 mA (Adjustable by tone selection)

### Accessories

- 50200: M20 E1EX Nickel Plated Brass Gland (Multi Armour Cone) Atex Cat 2 & 3, EExde IIC 2 GD  
Cable ID 11 - 15.5mm  
OD 14.5 - 21mm  
Gland for Multi Armoured Cable \*
- 50201: M20 A2EX Nickel Plated Brass Gland  
Atex Cat 2 & 3, EExde IIC 2 GD  
Cable OD 11 - 15.5mm  
Gland for Unarmoured Cable \*
- 50202: M20 E1EX-QS Nickel Plated Brass Gland (Ex d IIC, Ex e IIC, Ex nR IIC, Ex tb IIIC)  
Cable OD 14.5 - 20.5mm  
Barrier Gland for Steel and Aluminium Armoured Cable \*
- 50203: M20 A2EX Quick Stop Nickel Plated Brass Gland (Ex d IIC, Ex nR IIC, Ex tb IIC)  
Cable OD 9 - 15mm  
Barrier Gland for Unarmoured Cable \*
- 50204: M20 Nickel Plated Brass Stopping Plug  
Atex EExde I/IIC  
Standard M20 Blanking Plug
- 50221: Epoxy Minute Adhesive 24m/l tube  
One tube sufficient for five barrier glands

\* 25mm Thread length for GRP products

Note: M25 options available for the above

## SD150 Series > Working Current

12v Dc	24v Dc	48v Dc	110v Ac	220v Ac
910 mA (Max 10W)	960 mA	500 mA	210 mA	100 mA